

# STARLINK

---

FLAT HIGH PERFORMANCE  
ACCESSORIES

Available to purchase after receiving your order confirmation email.

# WEDGE MOUNT

Included in all Flat High Performance Starlink orders (ships separately) for permanent installation on a flat surface.

Required for in-motion use.

**Tools Needed:**

Varies by install option chosen. Drill, Socket Wrench, Phillips Head Screwdriver, Box Cutter, 3/4" (19 mm) Spade Bit, 7/16" (11.1 mm) Wrench, 7/16" (11.1 mm) Socket, Hex Key (3/32", 1/8", or 3/16"), Drill Bit (3/32", 1/4", or 1/2"), Pencil

**Package Dimensions:**

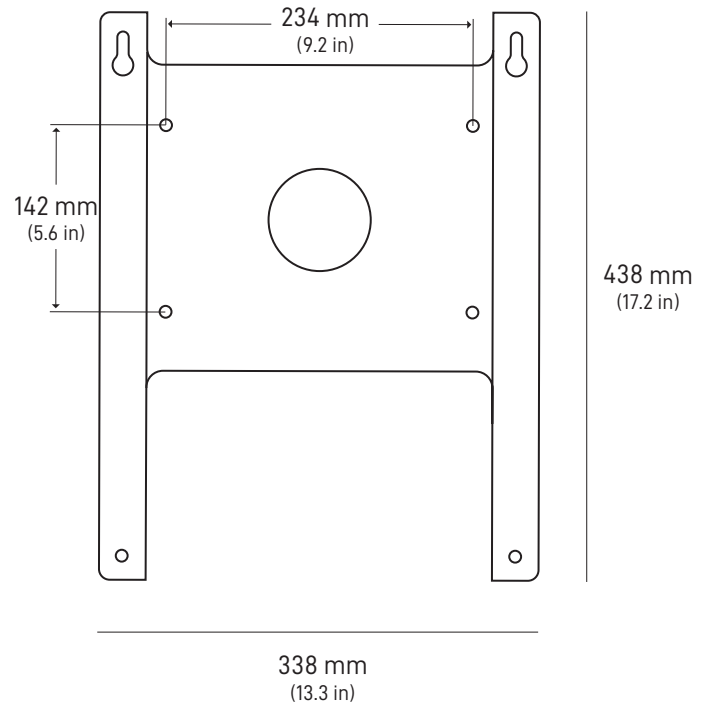
36 x 43 x 10 cm / 14" x 17" x 4"

**Package Weight:**

1.9 kg / 4.4 lbs

**Compatibility:**

Flat High Performance Starlink



# PIPE ADAPTER MOUNT

Designed to attach to any pole with a max diameter of 2.4" (62 mm)

Requires Wedge Mount Kit that comes with Flat High Performance Starlink.

**Tools Needed:**

7/16" (11.1 mm) Wrench, 5/32" (4 mm) Hex Key

**Package Dimensions:**

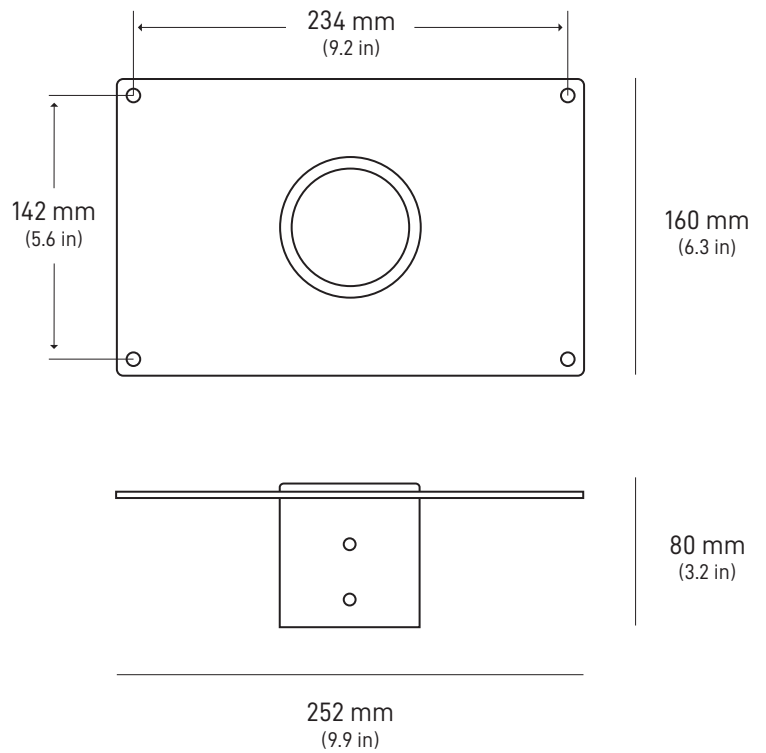
26.4 x 16.5 x 7.9 cm / 10.4" x 6.5" x 3.1"

**Package Weight:**

1.1 kg / 2.4 lbs

**Compatibility:**

Flat High Performance Starlink



# FLAT HIGH PERFORMANCE CABLES

---

25 m (82 ft) Starlink Cable is designed to replace the cable between the Flat High Performance Starlink and the Power Supply when additional length is needed.

**Package Dimensions:**

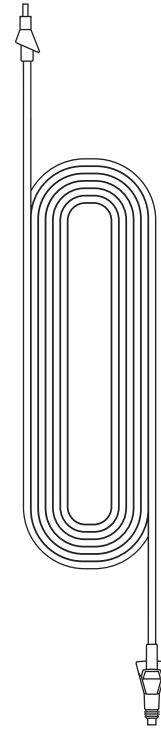
22 x 51.6 x 6.4 cm / 8.7" x 20.3" x 2.5"

**Package Weight:**

2.9 kg / 6.39 lbs

**Compatibility:**

Flat High Performance Starlink



25 m  
(82 ft)

8 m (26.2 ft) Starlink Cable is designed to replace the cable between the Flat High Performance Starlink and the Power Supply in case of damage.

**Package Dimensions:**

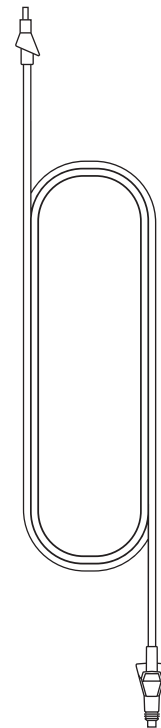
22 x 51.6 x 6.4 cm / 8.7" x 20.3" x 2.5"

**Package Weight:**

0.9 kg / 2.0 lbs

**Compatibility:**

Flat High Performance Starlink



8 m  
(26 ft)

# HIGH PERFORMANCE CABLES

---

30 m (98 ft) Router Cable is designed to replace the cable from the Starlink Kit when additional length is needed between the Power Supply and the Starlink Router.

**Package Dimensions:**

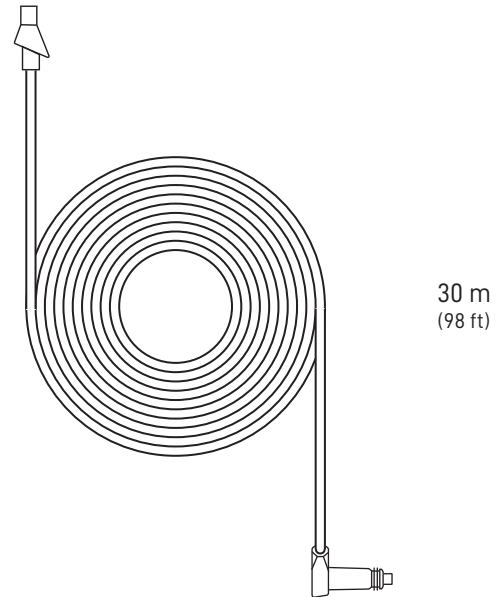
30 x 27 x 6.7 cm / 11.8" x 10.6" x 2.6"

**Package Weight:**

1.9 kg / 4.19 lbs

**Compatibility:**

High Performance Starlink  
Flat High Performance Starlink



30 m (98 ft) Ethernet Cable is designed to replace the cable from the Starlink Kit when additional length is needed between the Power Supply and the RJ45 connector (for third party routers or devices).

**Package Dimensions:**

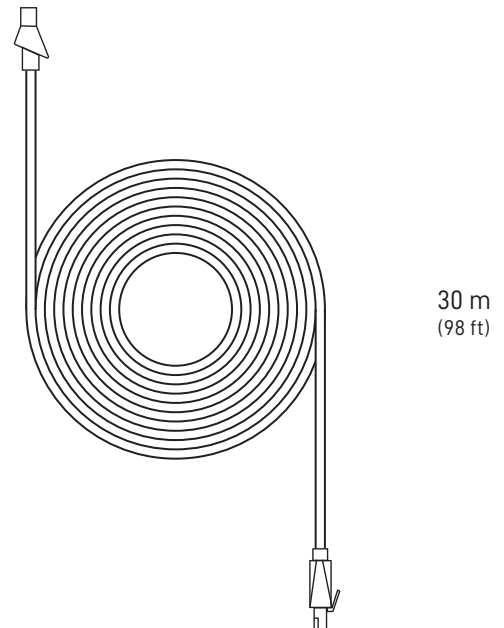
30 x 27 x 6.7 cm / 11.8" x 10.6" x 2.6"

**Package Weight:**

1.9 kg / 4.19 lbs

**Compatibility:**

High Performance Starlink  
Flat High Performance Starlink



# MESH WIFI ROUTER

---

Starlink Mesh WiFi Routers wirelessly extend your WiFi network throughout your home to provide a more reliable connection and faster speeds to areas where extra coverage may be needed.

\*Requires Starlink App

**Package Dimensions:**

22.4 x 28.6 x 10 cm / 8.8" x 11.3" x 4"

**Package Weight:**

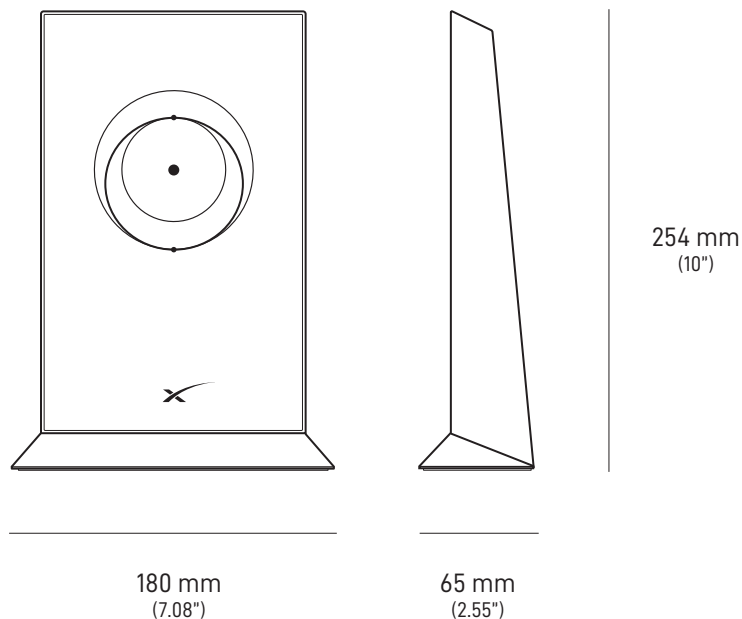
1.72 kg / 3.75 lbs

**Compatibility:**

Standard Starlink

High Performance Starlink

Flat High Performance Starlink



# ETHERNET ADAPTER

---

Designed to connect a device directly to the Starlink Router for a wired connection. Supports up to 1 Gbps speeds.

**Package Dimensions:**

16.5 x 11.4 x 3.6 cm / 6.5" x 4.5" x 1.5"

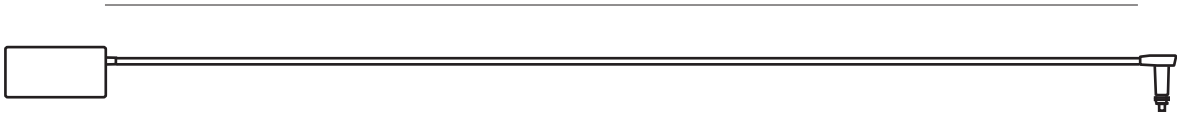
**Package Weight:**

0.15 kg / 0.33 lbs

**Compatibility:**

Standard Starlink

0.92m  
(3 ft)



THANK YOU