
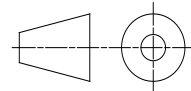


					HISTORY				
					VER	REV	DESCRIPTION	DATE	APPROVAL
					A	-	Original	-	-
					B	-	Cables added	10.11.08	CMA
					C	-	Cable 1.3.10 removed, SAILOR 6198 Changed to SAILOR 6197	11.07.01	CMA
					D	-	Cable 3.2.31 added	2016.03.02	Connie Madsen
					E	-	Changes and additions in connection with replacement of SAILOR 6222 VHF with SAILOR 7222 VHF	2022.05.24	Connie Madsen

Cable No.	Cable type	From/To	From/To	Signal
1.1.00	Coaxial RG213	MF/HF Transceiver	MF/HF Receiver Aerial	MF/HF reception
1.1.01	Coaxial RG213	MF/HF Transceiver	MF/HF ATU	MF/HF transmission
1.1.02	Coaxial RG214	No.1 VHF Transceiver Unit	VHF DSC Aerial	VHF DSC reception
1.1.03	Coaxial RG214	No.1 VHF Transceiver Unit	VHF Rx/Tx Aerial	VHF Rx/Tx
1.1.04	T&T cable (p/n 406100-94x)	No.1 Console CB. mini-C	No.1 mini-C Antenna	CAN-bus
1.2.00	T&T cable	MF/HF Transceiver (6m supplied)	No.1 Console CB. MF/HF	CAN-bus
1.2.01	Ethernet cable, CAT 5e STP	MF/HF Transceiver	SAILOR 6197 Ethernet switch	LAN
1.2.02	Ethernet cable, CAT 5e STP	No.1 Power Supply & Charger	SAILOR 6197 Ethernet switch	LAN
1.2.04	T&T cable	No.1 VHF Control Unit	SAILOR 6208 Connection Box	AUX
1.2.05	Ethernet cable CAT 5e STP	No.1 VHF Control Unit	Console SAILOR 6197 Ethernet switch	LAN
1.2.07	T&T cable	SAILOR 6208 Connection Box (6m supplied)	No.1 Console CB. AUX (J20)	AUX
1.2.21	2x0.5 ²	No.1 Power Supply & Charger	External Alarm input	AC Fail signal
1.2.22	2x0.5 ²	No.1 Power Supply & Charger	External Battery Alarm input	Battery Fail signal
1.2.31	2x0.5 ²	No.1 Console CB.VHF	VDR	Output to VDR
1.3.00	Power cable – 3 conductor	No.1 Power Supply & Charger	No.1 Console CB. Message Term.	DC Supply
1.3.01	Power cable – 3 conductor	No.1 Power Supply & Charger	No.1 SAILOR 6090 Power Converter	DC Supply
1.3.02	Power cable – 3 conductor	Battery	No.1 Power Supply	Battery backup Supply
1.3.03	Power cable – 3 conductor	No.1 Power Supply & Charger	No.1 Console CB. Mini-C	DC Supply
1.3.05	Power cable – 3 conductor	No.1 Power Supply & Charger	No.1 Console CB. Light	DC Supply
1.3.06	Power cable – 3 conductor	No.1 Power Supply & Charger	MF/HF Transceiver	DC Supply
1.3.11	Power cable – 3 conductor	No.1 Power Supply & Charger	SAILOR 6197 Ethernet switch	DC Supply
1.3.12	T&T cable	No.1 Power Supply & Charger	SAILOR 6101 Alarm Panel mini-C (2.5m supplied)	DC Supply
1.3.13	Power cable – 4 conductor	No.1 VHF Control Unit(1.5m supplied)	No.1 Console CB. VHF Power Out	DC Supply
1.4.00	Power cable – 3 conductor	Ship's Supply	No.1 Power Supply & Charger	AC Power
2.1.00	Coaxial RG213	No.2 MF/HF	MF/HF Receiver Aerial	MF/HF reception
2.1.01	Coaxial RG213	No.2 MF/HF	MF/HF ATU	MF/HF transmission
2.1.02	Coaxial RG214	No.2 VHF Transceiver Unit	VHF DSC Aerial	VHF DSC reception
2.1.03	Coaxial RG214	No.2 VHF Transceiver Unit	VHF Rx/Tx Aerial	VHF Rx/Tx
2.1.04	T&T cable (p/n 406100-94x)	No.2 Console CB. Mini-C	No.2 mini-C Antenna	CAN-bus


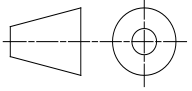
Cable No.	Cable type	From/To	From/To	Signal
2.2.00	T&T cable	No.2 MF/HF Transceiver (6m supplied)	No.3 Console CB. MF/HF	CAN-bus
2.2.01	Ethernet cable, CAT 5e STP	No.2 MF/HF	SAILOR 6197 Ethernet switch	LAN
2.2.02	Ethernet cable, CAT 5e STP	No.2 Power Supply & Charger	SAILOR 6197 Ethernet switch	LAN
2.2.03	T&T cable	Sailor 6208 Connection Box	SAILOR 6208 Connection Box (6m supplied)	CAN-bus
2.2.04	T&T cable	No.2 VHF Control Unit	SAILOR 6208 Connection Box (6m supplied)	AUX
2.2.05	Ethernet cable, CAT 5e STP	No.2 VHF Control Unit	Console SAILOR 6197 Ethernet switch	LAN
2.2.06	T&T cable	No.2 VHF Control Unit	SAILOR 6208 Connection Box (6m supplied)	CAN-bus
2.2.07	T&T cable	No.2 VHF Control Unit	SAILOR 6209 Accessory Connection Box (5m supplied)	OPT
2.2.08	Ethernet cable, CAT 6	No.2 VHF Control Unit	No.2 VHF Transceiver Unit	LAN
2.2.09	Ethernet cable, CAT 6	No.1 VHF Control Unit	No.1 VHF Transceiver Unit	LAN
2.2.10	T&T cable	No.1 Message Terminal 6018 (mini-C)	SAILOR 6209 Accessory Connection Box (5m supplied)	OPT
2.2.11	T&T cable	No.2 Message Terminal 6018 (mini-C)	SAILOR 6209 Accessory Connection Box (5m supplied)	OPT
2.2.12	T&T cable	No.1 MF/HF Transceiver	SAILOR 6209 Accessory Connection Box (5m supplied)	AUX
2.2.13	T&T cable	No.1 Message Terminal 6018 (Telex)	SAILOR 6209 Accessory Connection Box (5m supplied)	OPT
2.2.14	Ethernet cable, CAT 6	Moxa Switch	CAM	CAM NMEA
2.2.20	2x0.5 ²	No.2 Power Supply & Charger	External Alarm input	AC Fail signal
2.2.21	2x0.5 ²	No.2 Power Supply & Charger	External Battery Alarm input	Battery Fail signal
2.2.31	2x0.5 ²	No.2 VHF Control Unit	VDR	Output to VDR
2.3.00	Power cable - 3 conductor	No.2 Power Supply & Charger	No.2 Console CB. Message Term.	DC Supply
2.3.02	Power cable - 3 conductor	Battery	No.2 Power Supply	Battery backup Supply
2.3.03	Power cable - 3 conductor	No.2 Power Supply & Charger	No.2 Console CB. mini-C	DC Supply
2.3.04	Power cable - 3 conductor	No.2 Power Supply & Charger	Console SAILOR 6197 Ethernet switch	DC Supply
2.3.06	Power cable - 3 conductor	No.2 Power Supply & Charger	No.2 MF/HF Transceiver	DC Supply
2.3.07	Power cable - 3 conductor	No.2 Power Supply & Charger	No.3 Console CB. Message Term.	DC Supply
2.3.10	Power cable - 4 conductor	No.2 Power Supply & Charger	No.2 VHF Control Unit (1.5m supplied)	DC Supply

**Note: All cables must be shielded type.
For cable dimensions and length limitations not indicated refer to the appropriate Installation manual.**

SURFACE TREATMENT:	UNLESS OTHERWISE SPECIFIED DIMENSIONS ARE IN MILLIMETRE AND TOLERANCES ARE IN ACCORDANCE WITH ISO 2768-1-m		 Thrane & Thrane trading as Cobham SATCOM - Denmark			
	DR. Connie Madsen	10.10.18				
	MATERIAL:	CH. Lars Bo Hesel	10.10.18	TITLE Cable Specifications for External Cable Overviews, SAILOR program 6000		
AP. Connie Madsen		10.10.18				
FIRST ANGLE PROJECTION				SIZE A3	ASSET NO.	DRAWING NO. 99-132599
THIS DRAWING CONTAINS INFORMATION THAT IS PROPRIETARY TO COBHAM SATCOM AND SHOULD NOT BE USED WITHOUT WRITTEN PERMISSION			SCALE 1:1	SHEET		

HISTORY				
VER	REV	DESCRIPTION	DATE	APPROVAL
A	-	Original	-	-
B	-	Cables added	10.11.08	CMA
C	-	Cable 1.3.10 removed, SAILOR 6198 Changed to SAILOR 6197	11.07.01	CMA
D	-	Cable 3.2.31 added	2016.03.02	Connie Madsen
E	-	Changes and additions in connection with replacement of SAILOR 6222 VHF with SAILOR 7222 VHF	2022.05.24	Connie Madsen

Cable NO.	Cable type	From/To	From/To	Signal
2.3.11	Power cable - 2 conductor	No.2 Power Supply & Charger	No.2 VHF Transceiver Unit	DC Supply
2.3.12	T&T cable	No.2 Power Supply & Charger	SAILOR 6103 GMDSS Alarm Panel (2.5m supplied)	DC Supply
2.3.13	Power cable - 2 conductor	No.1 Power Supply & Charger	No.1 VHF Transceiver Unit	DC Supply
2.4.00	Power cable - 3 conductor	Ship's Supply	No.2 Power Supply	AC Power
3.2.00	Ethernet cable, CAT 5e STP	SAILOR 6197 Ethernet switch	Console SAILOR 6197 Ethernet switch	LAN
3.2.02	Ethernet cable, CAT 5e STP	SAILOR 6101 Alarm Panel mini-C	Console SAILOR 6197 Ethernet switch	LAN
3.2.03	Ethernet cable, CAT 5e STP	SAILOR 6197 Ethernet switch	SAILOR 6103 GMDSS Alarm Panel	LAN
3.2.04	4x0.5 ²	No.1 Power Supply & Charger	No.2 Power Supply & Charger	X-Link
3.2.30	2x0.5 ²	Position source (GPS)	Console CB. NMEA 0183	NMEA position data
3.2.31	2x0.5 ²	Position source (GPS)	No.2 VHF/SAILOR 6208 Connection Box	NMEA position data
3.2.32	4 wire screened cable	CAM	SAILOR 6209 Accessory Connection Box	CAM NMEA
3.2.33	4 wire screened cable	CAM	SAILOR 6209 Accessory Connection Box	CAM NMEA
3.2.34	4 wire screened cable	CAM	SAILOR 6209 Accessory Connection Box	CAM NMEA
3.2.35	4 wire screened cable	CAM	SAILOR 6209 Accessory Connection Box	CAM NMEA
3.2.36	4 wire screened cable	CAM	SAILOR 6209 Accessory Connection Box	CAM NMEA

SURFACE TREATMENT:	UNLESS OTHERWISE SPECIFIED DIMENSIONS ARE IN MILLIMETRE AND TOLERANCES ARE IN ACCORDANCE WITH ISO 2768-1-m		 Thrane & Thrane trading as Cobham SATCOM - Denmark		
	DR. Connie Madsen	10.10.18			
MATERIAL:	CH. Lars Bo Hesel	10.10.18	TITLE Cable Specifications for External Cable Overviews, SAILOR program 6000		
	AP. Connie Madsen	10.10.18			
FIRST ANGLE PROJECTION			SIZE A3	ASSET NO.	DRAWING NO. 99-132599
			SCALE 1:1	SHEET	
THIS DRAWING CONTAINS INFORMATION THAT IS PROPRIETARY TO COBHAM SATCOM AND SHOULD NOT BE USED WITHOUT WRITTEN PERMISSION					