

## t100N

### 1M MARITIME Global Satellite TV Antenna System



#### FEATURES

##### ALL NEW HARDWARE STRUCTURE

All new hardware and pedestal based on our quality proven VSAT NX terminals. Modular components are used throughout the new t-Series range, such as the main control unit and skew assembly. Sharing common modules across Intellian's new t-Series antenna, reduces the number of spare parts required.

##### Wi-Fi CONNECTIVITY

The Wi-Fi function enables the ACU to be wirelessly connected. Any kind of wireless devices such as PCs, laptops and smartphones can be used to connect to the ACU to manage and control the antenna system.

##### TELEVISION WHEREVER YOU ARE

From Intellian's pre-programmed library of TV satellites worldwide, users can easily select the desired satellite while traveling from region to region. Users also can program the desired TV satellite on AptusNTV. Once the satellite is selected, the WorldView™ LNB module will automatically switch to the corresponding Ku-band local frequency and receive the signal without the need to switch the LNB.

##### UNLIMITED AZIMUTH RANGE

With Intellian's unique rotary joint and slip ring solution, those onboard will enjoy uninterrupted TV services no matter the number of turns the vessel makes. The solution eliminates the need to wait for the antenna to reposition to unwrap once the cable length was reached. The TV choices you enjoy at home can be enjoyed at sea.

##### NEW APTUSNTV

Intellian's all new integrated M&C platform AptusNTV provides responsive web user interface. The simple seven step installation wizard function configures the antenna system automatically and minimizes operators' work for system installation and operation.

##### SYSTEM HIGHLIGHTS

- 5 cable configuration
- All New hardware structure
- Pre-programmable WorldView Ku-band LNB
- Unlimited azimuth range
- DVB-S2 Digital TV receptions
- Wi-Fi connectivity enable
- User-friendly SW platform for antenna M&C
- Matching dome solution
- Dual setup via external Mediator

## t100N

### TECHNICAL SPECIFICATIONS

#### ABOVE DECK UNIT

Radome Height	145.8cm / 57.4"
Radome Diameter	138cm / 54.3"
Reflector Diameter	105cm / 41.3"
Weight	93.0kg / 205.0 lbs
Azimuth Range	Unlimited
Elevation Range	-15° to +110°
Cross-level Range	Up to ±35°
Rx Frequency	10.7 ~ 12.75 GHz, Ku-Band
Rx Gain	> 40.7 dBi @ 11.7 GHz (w/o Radome)
LNB Type	Ku-Band WorldView Pre-programmable
EIRP	41.5 dBW (Min.)
Polarization	Linear & Circular
Stabilization Accuracy	0.2° max in presence of specified ship motions
Ship Motion (@ 6 second)	Roll ± 25°, Pitch ± 15°, Yaw ± 8° Turning Rate: Up to 10° /sec <sup>2</sup>

#### BELOW DECK UNIT

Dimensions	43.1 x 41.1 x 4.4 cm / 17.0" x 16.2" x 1.7"
Weight	5.7 kg / 12.6 lbs
Key	2 Push Keys
LED Indicator	3 LEDs: Power, Tracking, Error
Power Requirement	100 ~ 240 VAC, 50~60Hz, 3.3A
Power Consumption	Max 150W
Gyrocompass Interface	NMEA2000 / NMEA0183
Ethernet Port	RJ45, TCP / IP connection

#### LNB LO FREQUENCIES

Local Oscillator Freq.	Polarization	Area
11.250 GHz	Dual Circular	North America, Russia
10.500 GHz	Dual Circular	Latin America
10.750 GHz	Single Circular	Korea
10.678 GHz	Dual Circular	Japan
11.300 GHz	Single Circular	South East Asia
10.700 GHz	Dual Linear	Australia
Universal Low: 9.75/High 10.6 GHz	Quad Linear	Europe, Middle East, Africa, Some Asia countries

#### Global HQ

Innovation Center  
Intellian Technologies, Inc.  
T +82 31 379 1000

#### APAC

Seoul  
Intellian Technologies, Inc.  
T +82 2 511 2244

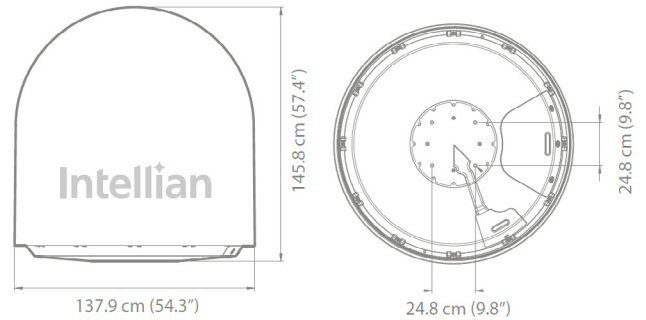
#### Americas

Irvine  
Intellian Technologies USA, Inc.  
T +1 949 727 4498  
Toll Free +1 888-201-9223

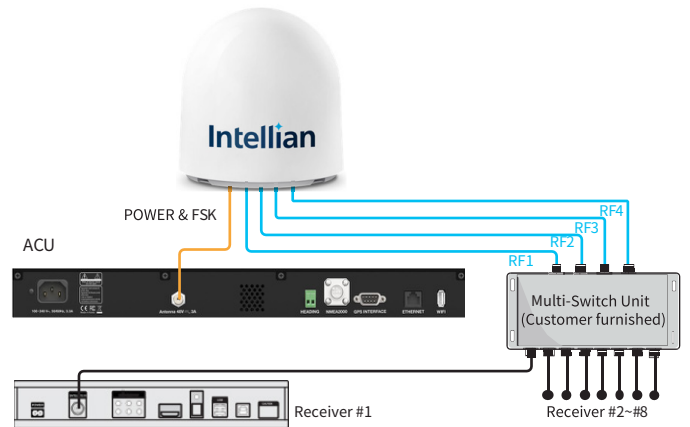
#### EMEA

Rotterdam  
Intellian B.V.  
T +31 1 0820 8655

### SYSTEM DIMENSION



### SYSTEM DIAGRAM



### SYSTEM DIAGRAM (DUAL)

