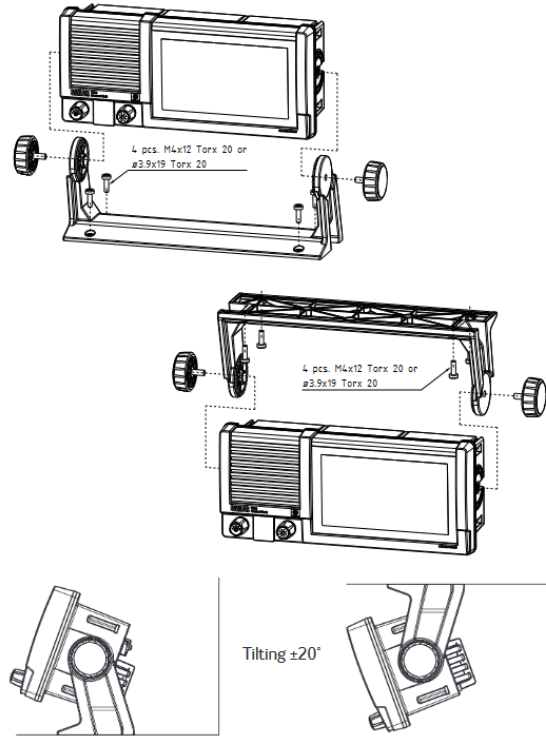


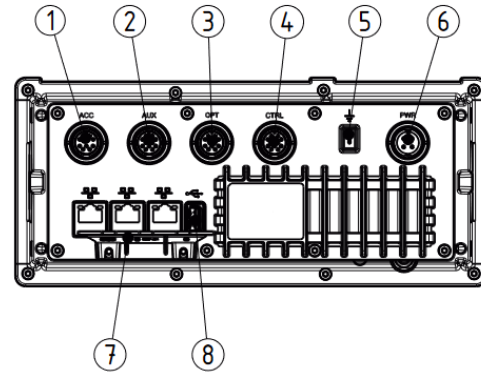
U-mount install guide for SAILOR 7222 VHF/DSC standard installation p/n POL 7222 U-MOUNT

Installing with U-mount bracket kit



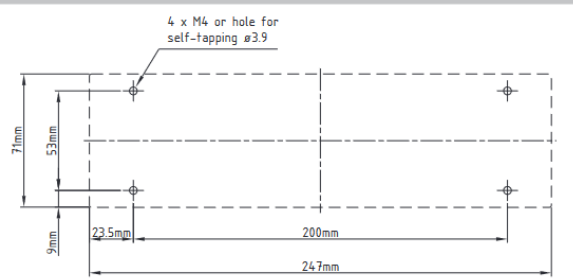
Accessories: U-mount bracket kit, part no. 407224A-930

Connections



1. ACC connector for accessories and Handset
2. AUX connector for VDR, External speaker, DSC alarm, GPS input
3. OPT connector
4. CTRL connector for SAILOR 6204 Control Speaker Microphone or SAILOR 6208 Connection Box
5. Ground stud for grounding
6. Power connector
7. LAN connectors for Ethernet and Ext. Connections
8. USB connector

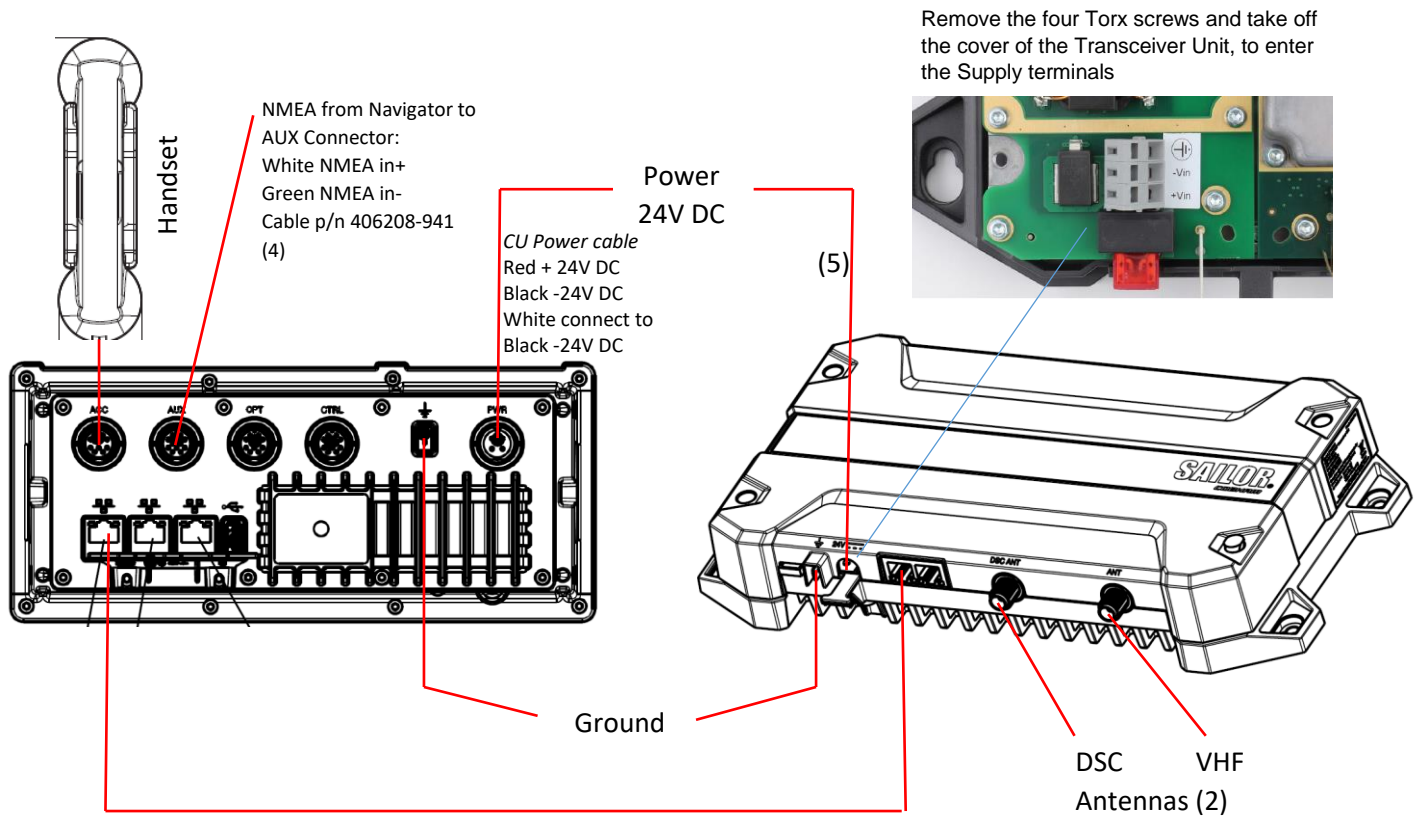
Drilling plan - U-mount bracket



For connections, see next page:

POL 7222 U-MOUNT Guide 2022 a03

Electrical connection SAILOR 7222A VHF/DSC



LAN Cable, use first connector in both units, as shown (3)

U-Mount Kit, p/n POL 7222 U-MOUNT:

1. 1 pcs. U-mount Bracket p/n 407224A-930 for 7224 Control Unit
2. 2 pcs. 2 meter Adapter antenna cable PL259(UHF) female to TNC male for VHF and DSC Antennas
3. 1 pcs. LAN Patch cable 2 meter for LAN connection between Transceiver and Control unit.
4. 1 pcs. Cable for NMEA Position input, p/n 406208-941 for AUX connector
5. 1 pcs. 1.5 meter 3x1.5 power cable for 7226 Transceiver unit

