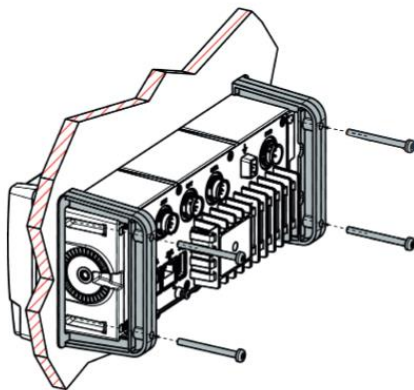
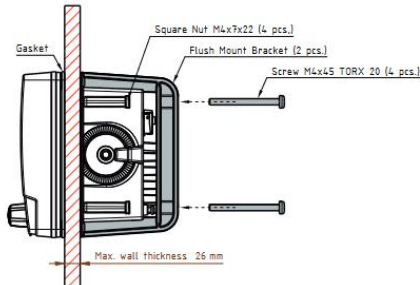


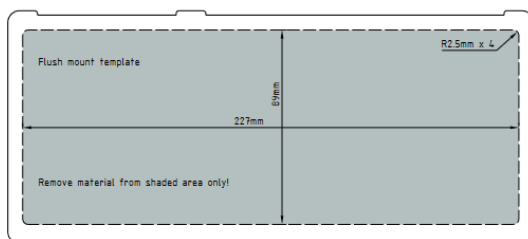
Flush mount install guide for SAILOR 7222 VHF/DSC standard installation p/n POL 7222 FLUSH

Installing with Flush mount kit

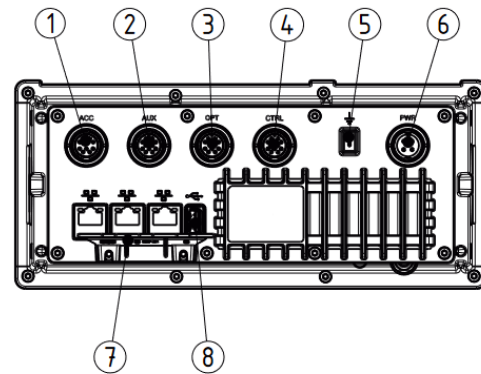


Accessories: Flush mount bracket kit, part no. 407224A-950

Cut out - Flush mounting



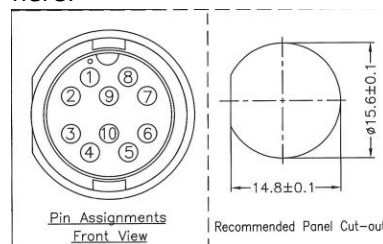
Connections



1. ACC connector for accessories and Handset
2. AUX connector for VDR, External speaker, DSC alarm, GPS input
3. OPT connector
4. CTRL connector for SAILOR 6204 Control Speaker Microphone or SAILOR 6208 Connection Box
5. Ground stud for grounding
6. Power connector
7. LAN connectors for Ethernet and Ext. Connections
8. USB connector

Note 1:

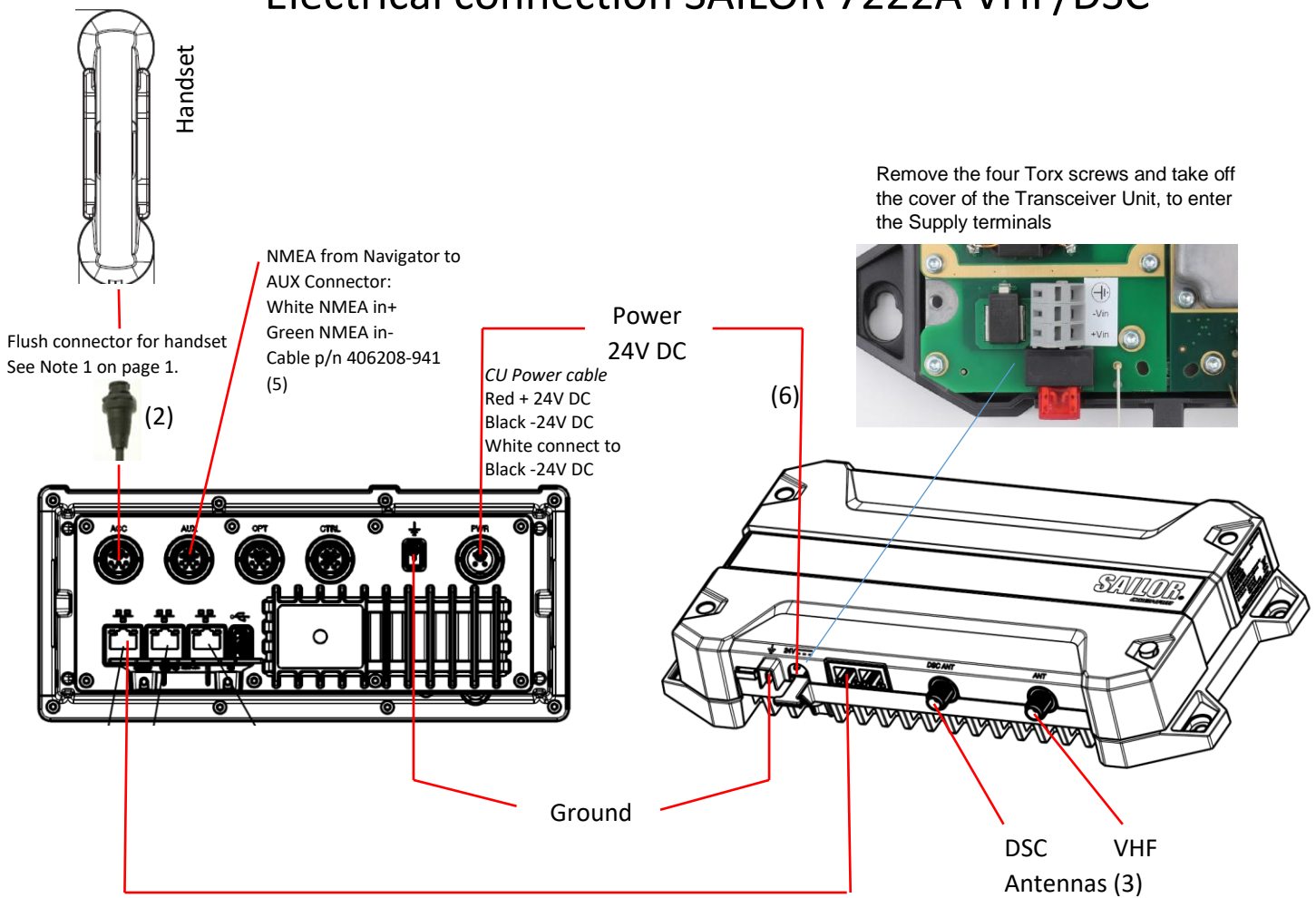
As the handset connector is on the backside of the Control Unit, install the cable with flush connector beside the Radio/Handset. This cable is 1 meter long and the Flush connector need a hole as shown here:



For connections, see next page:

POL 7222 FLUSH Guide 2022 a03

Electrical connection SAILOR 7222A VHF/DSC



LAN Cable, use first connector in both units, as shown (4)

Flush Mount Kit, p/n POL 7222 FLUSH:

1. 1 pcs. Flush mount kit 407224A-950 for 7224 Control Unit
2. 1 pcs. Handset Flush cable p/n 407224A-990
3. 2 pcs. 2 meter Adapter antenna cable PL259(UHF) female to TNC male for VHF and DSC Antennas
4. 1 pcs. LAN Patch cable 2 meter for LAN connection between Transceiver and Control unit.
5. 1 pcs. Cable for NMEA Position input, p/n 406208-941 for AUX connector
6. 1 pcs. 1.5 meter 3x1.5 power cable for 7226 Transceiver unit

