

v240MT

2.4m Multi-Orbit Multi-band Antenna System



Frequency & Orbit-agnostic Capabilities

The new Intellian v240MT solution provides the unique capability of switching among different satellite frequency bands and satellite orbit as needed without any user intervention. This enables the operator to select the best solution for the geographic location or for flexibility in achieving the highest throughput on virtually any satellite.

True 2.4m Multi-band RF Performance

The design of the system assures consistent RF performance across C-, Ku-, and Ka-bands to deliver high-speed, high-quality connectivity to high-bandwidth demanding users. The v240MT provides unsurpassed seamless operation for vessels in cruise and energy industries requesting bandwidth, coverage, and reliability.

Hybrid GEO/MEO Network Availability

Hybrid networks which combine multiple frequencies and orbits are the optimal way to keep a vessel connected. Two antennas may be tracking moving MEO satellites while a third could be pointed at a fixed GEO satellite. This ensures more bandwidth aggregation and more reliable connectivity.

Intelligent Mediator

This incredibly sophisticated system allows for automatic switching between networks, satellites, orbits, and most importantly, provides support for Dual Data Centers. All of this happens automatically, without any user intervention, to ensure data integrity and no dropped calls.

v240MT 2.4m Multi-Orbit Multi-band Antenna System

Technical Specifications

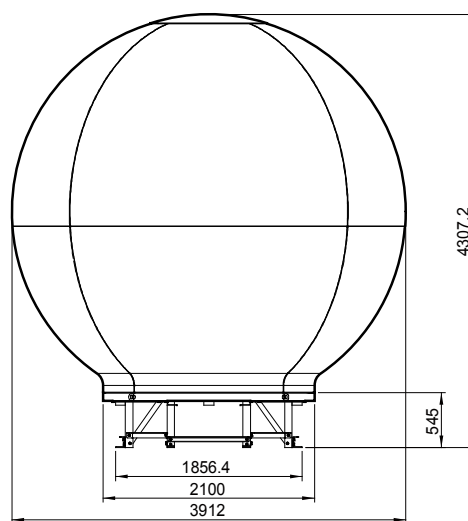
Physical	
Radome Height	431 cm / 169.5"
Radome Diameter	391 cm / 154"
Reflector Diameter	240 cm / 94.5"
Antenna Weight	1,045 kg / 2,304 lbs
Stabilized Pedestal Assembly	
Platform	3-axis : Azimuth, Elevation, Cross-level
Azimuth Range	Unlimited
Elevation Range	-15° to +120°
Cross-level Range	up to 30°
Stabilized Accuracy	0.2° peak mis-pointing @ max ship motion
Motor Brake System	Elevation, Cross level
Reflector & Feed Assembly	
Tx Frequency	C-band : 5.85 GHz ~ 6.425 GHz Ku-band : 13.75 GHz ~ 14.5 GHz Ka-band : 27.5 GHz ~ 30.0 GHz
Tx Gain	C-band : 42.0 dBi @ 6.14 GHz Ku-band : 48.6 dBi @ 14.25 GHz Ka-band : 51.9 dBi @ 28.5 GHz
Rx Frequency	C-band : 3.625 GHz ~ 4.2 GHz Ku-band : 10.7 GHz ~ 12.75 GHz Ka-band : 17.7 GHz ~ 20.2 GHz
Rx Gain	C-band : 38.4 dBi @ 3.91 GHz Ku-band : 47.7 dBi @ 11.85 GHz Ka-band : 49.2 dBi @ 18.7 GHz
G/T (Incl. Radome)	C-band : 19.0 dB/K @ 3.91 GHz Ku-band : 28.0 dB/K @ 12.75 GHz Ka-band : 25.0 dB/K @ 18.7 GHz
BUC Power	C-band up to 400 W Ku-band up to 400 W Ka-band up to 100 W (with the specified BUC)
Polarization	C-band : Circular & Linear Ku-band : Linear (Cross Pol & Co Pol) Ka-band : Circular (Cross Pol & Co Pol)

* 168" sized Radome available as an option.

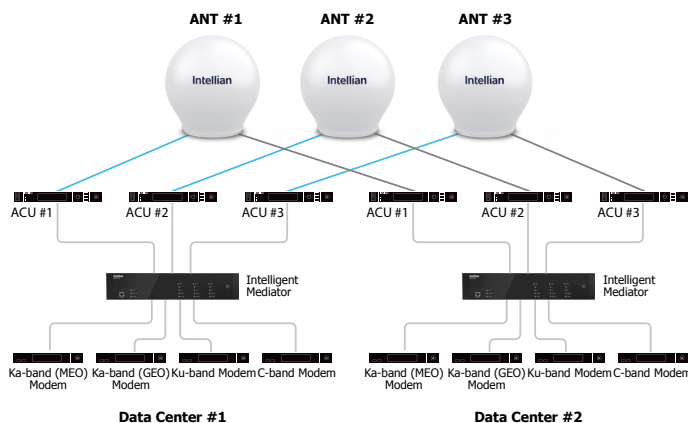
Key Features

- Multi-orbit and Multi-band supported
- Mix and Match frequency and satellite types
- Dual Data Centers - on-board resiliency
- Smart MEO Satellite Handover function
- Fiber Optic systems interconnect

System Dimension



System Diagram



Global HQ
Innovation Center
Intellian Technologies, Inc.
T +82 31 379 1000
F +82 31 377 6185

APAC
Seoul
Intellian Technologies, Inc.
T +82 2 511 2244
F +82 2 511 2235

Americas
Irvine
Intellian Technologies USA, Inc.
T +1 949 727 4498
F +1 949 271 4183
Toll Free +1 888-201-9223

EMEA
Rotterdam
Intellian B.V.
T +31 1 0820 8655
F +31 1 0820 8656