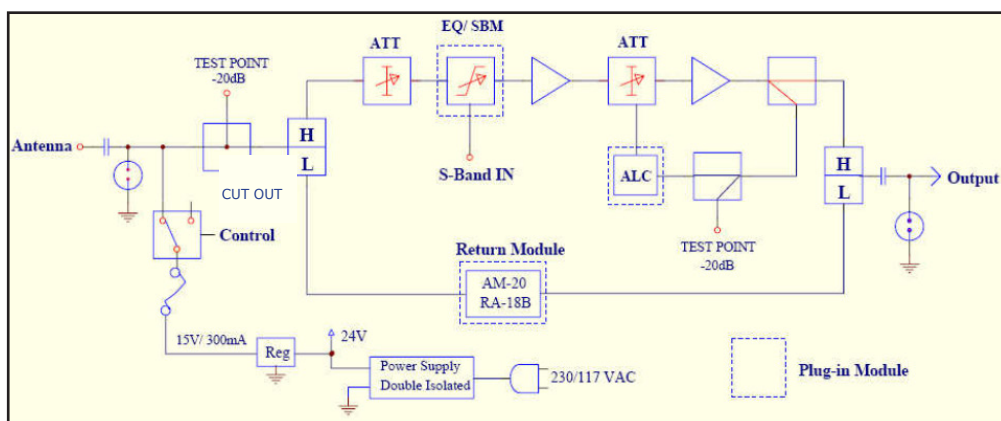


SEAS 4030 for 32 outlets (30dB)  
Size: (L) 230 x (W) 165 x (H) 82 mm

## FEATURES

- Proven and reliable technology
- Simple and easy installation
- No additional accessories in system setup
- Excellent ESD and Surge protection
- Line amplifier for worldwide marine use
- Advanced ALC (Automatic Level Control) with LO-HI switch
- Test points on input and output
- Sturdy die-cast housing conforming to protection class IP54
- Equipped with S-band input for cable-TV channels or modulated satellite channels



## DESCRIPTION

SEAS 4030 w. 32 outlets (30 dB)

## PART NO

4030

SEAS 4030\_Rev. 1.4.pdf

### TECHNICAL SPECIFICATION

Size	(H) 230 x (W) 165 x (D) 82 mm
Housing	Aluminium Die-casting, Finishing: Black painted
Connectors	IN,OUT: 5/8"-24 NEF F-Female to 3/8"-32 UNEF F-Female Adaptor S-IN: 3/8"-32 UNEF F-Female Connector
Weight	2.32Kg

### Electrical Specification

RF Amplification		Push-Pull Hybrid Module	
Operation Gain	(w/ RA)	100 KHz	6.5 dB min.
		5 MHz	12.0 dB min.
		27 MHz	16.0 dB min.
IN-OUT	(w/ MS-86/18)	47~860 MHz	30.0 dB min.
	(w/ E/SM)	47~230 MHz	30.0 dB min.
		470~860 MHz	30.0 dB min.
Operation Gain	(S-Band IN)	300~400 MHz	30.0 dB min. (S21-S32)
Gain Control			0~ -18.0 dB (adj.)
Slope Control	(w/ MS-86/ 18 Module optional)		0~ -18.0 dB (adj.)
Auto Level Control	(w/ ALC)		+/-5.0 dB (Low Freq. range) +/-3.5 dB (Low Freq. range)
Noise Figure		47~860 MHz	6.0 dB typ. 8 dB max.
Output Level (Reference)		55/ 550/ 860 MHz	77 NTSC chs. +312 MHz digital* (97 / 102 / 94 dBu V)
Composite Second Order (CSO)			-61 dBc
Composite Triple Beat (CTB)			-61 dBc
Cross Modulation (XMOD)			-61 dBc
Return Loss		100~300 KHz	6 dB min.
(w/ Jumpers)		300 KHz~27 MHz	14 dB typ. 12 dB min.
		47~860 MHz	12 dB typ. 10 dB min.

### General Specifications

Input Voltage		230 VAC 50/60 Hz. Alt. 117 VAC**
Line Frequency		47 ~ 63 Hz
Antenna and Amplifier Voltage		15 VDC +/- 5%
Current	Antenna Current	300 mA max.
	Amplifier Current	200 mA max.
Input & Output Test Ports		-20 +/- 2 dB F-Female
Input & Output Impedance		75 Ohm
Surge Protection		7000 V for 1.2 x 50 us
Fuse (For Power Supply)		0.2 A / 250 V (230 Vac)
Power Consumption (Including Powering output to Antenna)		16 W, (25W)
AC Cord		Schuko type § 4.8 mm 2 Round pin + Ground port, 1.5 m cord
Operating Temperature		-40 to +60°C
Cut out function		Build-in relay activated by single pole switch.

### EMC & Safety

EMC	EN50083-2, EN61000-3-2/3-3
Safety	EN60945, EN60065, EN60728
Water Ingress Rating	IP54 (NEMA 4)
Dielectric Strength Test***	>2M Ohm, <1m A @2120VDC
Protective Earth Connection****	<0.1 Ohm



- \*) For digital channels at 550~862 MHz, carriers are -10 dB lower relative to analog channels.
- \*\*) By alternative fuse included in box
- \*\*\*) Test by Hi-Pot tester
- \*\*\*\*) Test by Voltage Meter applied between the protective earth contact of the mains plug and all accessible conductive parts.

All specifications stated are subject to change without notice.