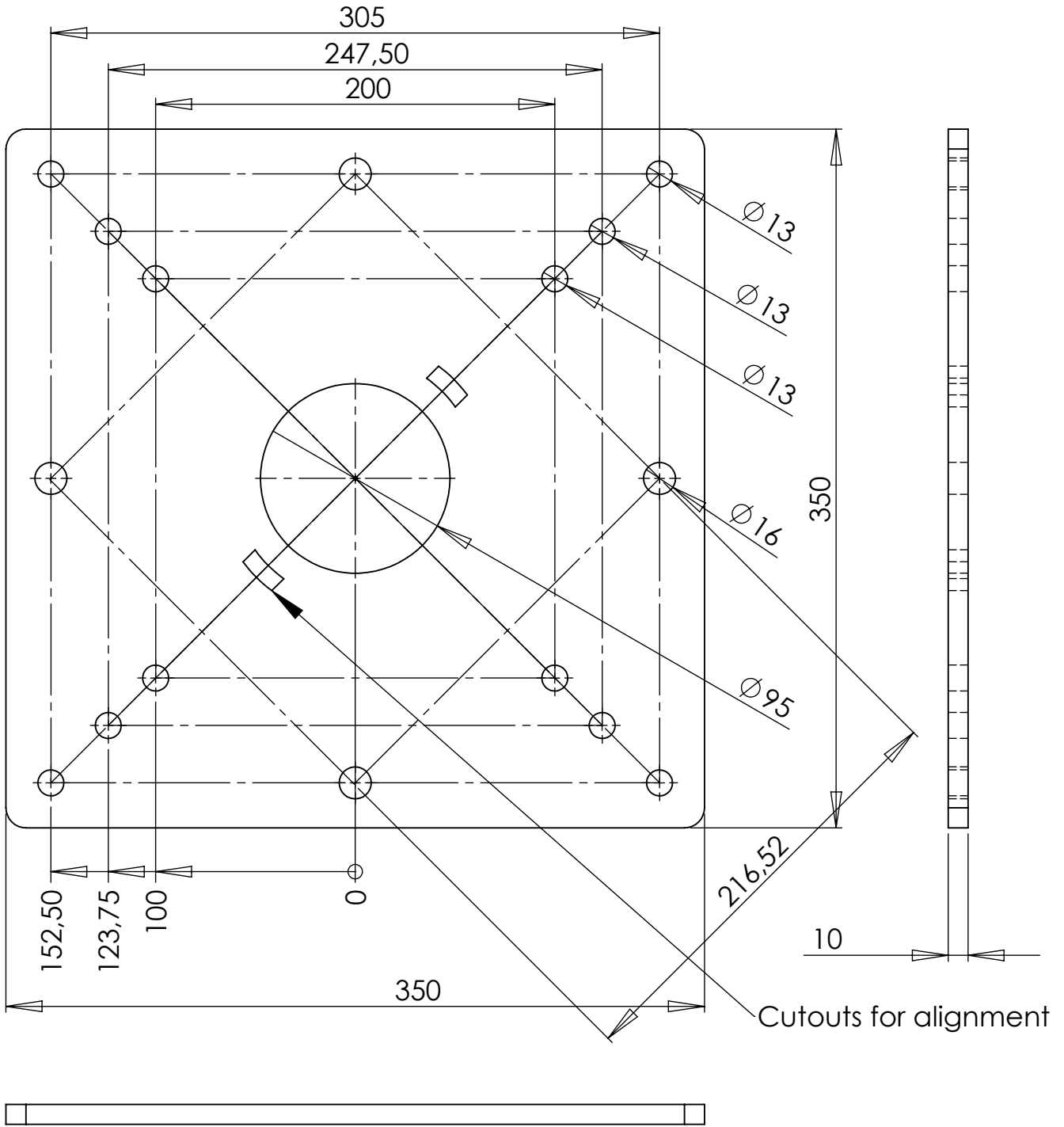


REVISIONS

ZONE	REV.	DESCRIPTION	DATE	APPROVED
------	------	-------------	------	----------



This document has been prepared by Polaris Electronics A/S, Denmark, and remains the property of the company. Reproduction or use of this document without the consent of Polaris Electronics A/S or its subsidiaries is prohibited. All rights reserved.

Dim. tolerance: DS/ISO 2768-1 m	Scale: 1:10	Sheet: 1/1	Size: A4	Sign	Date
Material: 1.0037 (S235JR)	Tykkelse: 10 mm	Project:		Constr. CV	25-09-2019
Intern varenr:				Approved	
Top plate				Rev.	
				WEIGHT. 8781.61	