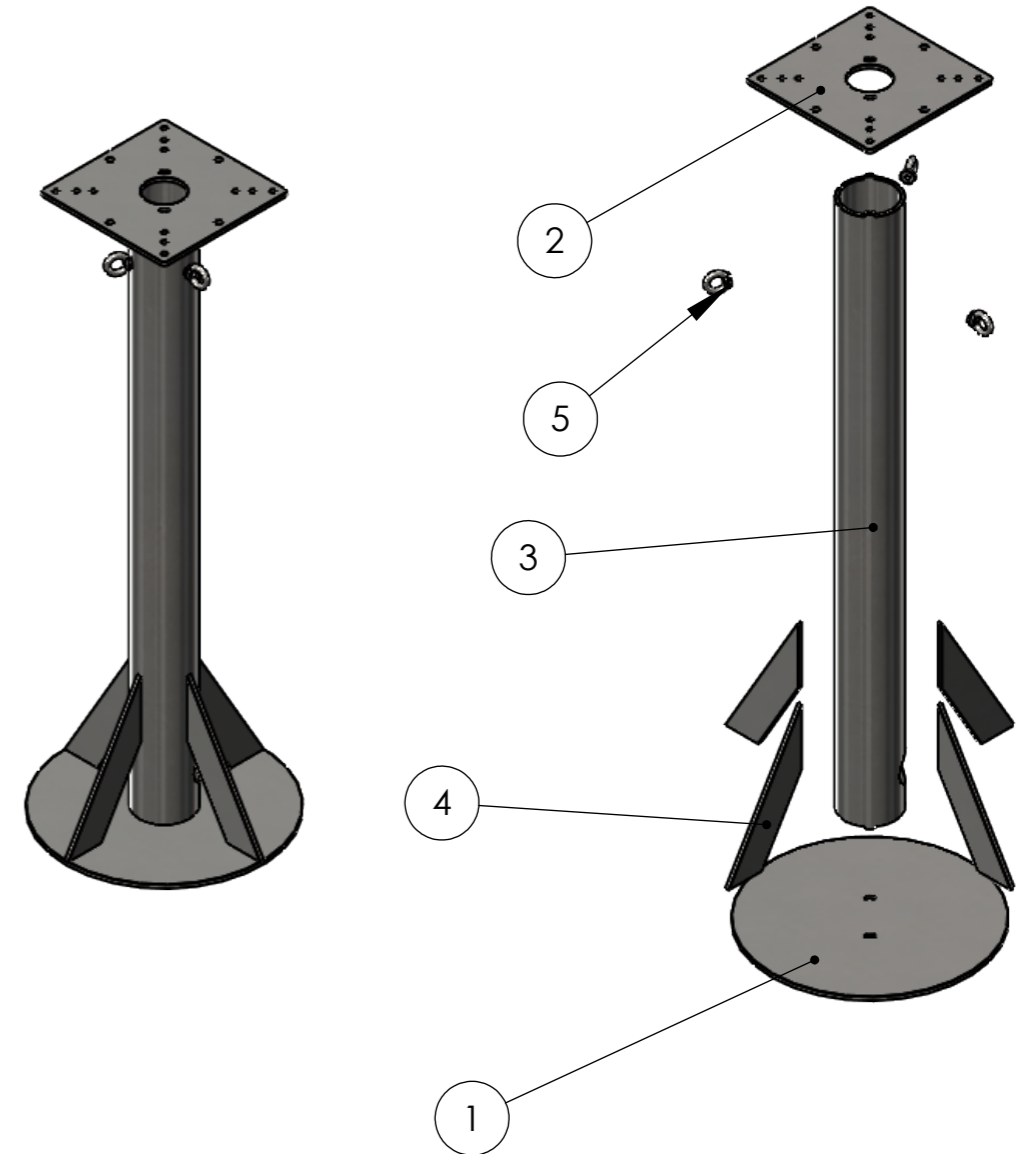


SECTION A-A
SCALE 1 : 15

All Welding a=6

Sandblasting
2 component primer



ITEM NO.	PART NUMBER	Description	Material	Q
1	34000002	Floorplate	1.0037 (S235JR)	1
2	34000003	Top plate	1.0037 (S235JR)	1
3	34000004	Mast core	1.0037 (S235JR)	1
4	34000005	bracket	1.0037 (S235JR)	4
5	34000006	Lifting Eye DIN 582 M12		3



This document has been prepared by Polaris Electronics A/S, Denmark, and remains the property of the company. Reproduction or use of this document without the consent of Polaris Electronics A/S or its subsidiaries is prohibited. All rights reserved.

Dim. tolerance: DS/ISO 2768-1 m	Scale: 1:20	Sheet: 1/1	Size: A3	Sign	Date
Materiale: S 235JR	Tykkelse:	Project:		Constr. CV	25-09-2019
Intern varenr:				approved	
Antenna Mast PED9				Rev.	
				WEIGHT.	
				Drawing no.	
				70.033-01	