



**WamBlee**

Committed to Excellence

**W440**  
rescue device

### **AIS SART Sniffer**

- USEFULL FOR STOP ENGINE WHEN AIS SART SIGNAL IS RECEIVED (SPECIALLY FOR MOB UNIT)
- UP TO 8 DIFFERENT MOB ID, FULL PROGRAMMABLE
- USE NMEA 0183 SENTENCE FROM AIS RECEIVER



# W440

rescue device

The W440 is an innovative device which can recognise codes from an AIS SART instrument (including MOB<sup>1</sup>) from an NMEA sentence emitted by an AIS receiver. When the sentence has been recognised, the W440 checks the ID code of the AIS SART instrument against the embedded programmable database (up to 8 codes) and if the code is present it causes an auxiliary contact to close.

The W440 is the ideal complement for the MOB AIS SART W420. It is easily installed and is perfect for those who sail single-handed. The connection of the closing contact with the vessel's propeller allows the engine to be deactivated in case of accidental man overboard and it can also activate any other emergency signal systems present on the vessel.

The W440 is non-intrusive compared to other on-board devices; it is easily connected to existing systems and requires only a AIS receiver with NMEA 0183 interface. ID codes are programmed after the system has been installed and no programming tool is required. An illuminated selector which controls the device is easily installed onto the instrument panel.

## TECHNICAL SPECIFICATIONS

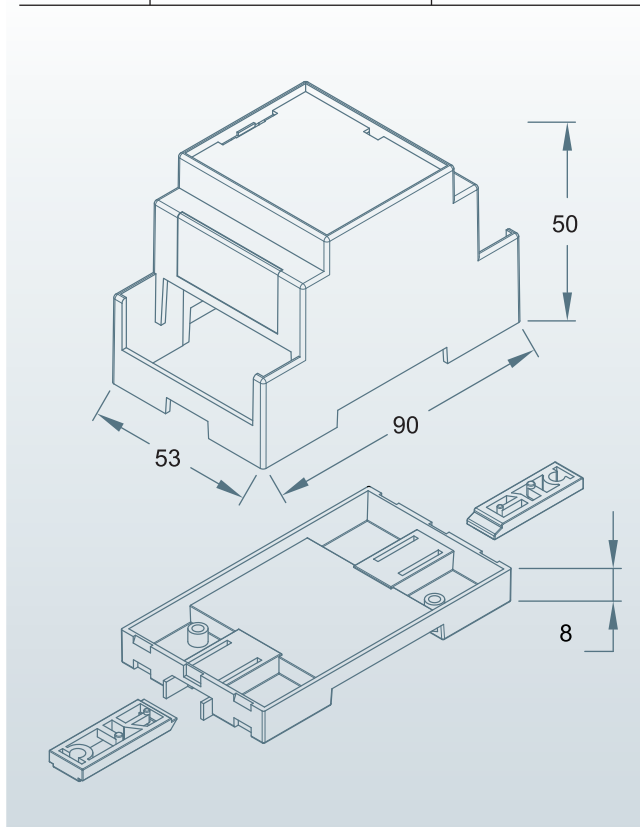
- Power supply: from 8 to 30 Volts DC
- Current: < 0,1 A typ.
- Working temperature: from -20°C to +55°C.
- Storage temperature: from -30°C to +70°C.
- RH: < 70 %
- Interface: NMEA 0183, galvanically isolated
- Impedance: > 800 Ohms
- Speed: from 4800 to 38400 baud
- AIS Sentence : AIVDM
- AIS ID storage capability: up to 8
- Activation: by control panel selector (included)
- Auxiliary rele: 1A 250 VAC
- Dimension: DIN 3 Module
- Weight: 130 gr.
- Material: PC (UL94 V-0)
- Installation: DIN guide or wall mount with option tools

Patent Pending



1. See Statement from ITU-R study group 5 wp5B

Order code	Description	Packing quantity
P20018	W440 AIS SART SNIFFER	1



Progetto realizzato con il contributo della Regione Emilia-Romagna, Assessorato attività produttive, sviluppo economico e piano telematico, Servizio Sportello regionale per l'internazionalizzazione delle imprese

**Adriatica**

We reserve the right to make technical changes without prior notice  
Cod. D9008-EN - RevA - 08/2011



**WamBlee**  
Committed to Excellence

WamBlee s.r.l. - via Vittori, 19 - 48018 Faenza - tel. e fax +39 0546 623891  
e-mail: info@wamblee.it - [www.wamblee.it](http://www.wamblee.it)

