

BASE01 A/B/C/D/E/X

Unity Gain Omni Base Station Antenna for the 150 MHz band

This meticulously constructed base station antenna with integrated multipurpose mounting bracket comes with a generous bandwidth which reduces the need for multiple antennas both in stock and on installation sites.

- High power antenna design
- Customer specified center frequency in X version
- No groundplane needed

Electrical Specifications:

Frequency	118 - 137 MHz, 128 - 144 MHz, 144 - 163 MHz, 154 - 174 MHz, 218 - 225 MHz, 118 - 174 MHz (A/B/C/D/E/X)
Bandwidth	For X version: Approx. 12 % of the specified Centre Frequency (CF)
Antenna Type	Half Wave Dipole
Impedance	50 ohm
VSWR	A: <1.6:1, B, C, D, E, X: <1.5:1
Polarisation	Vertical
Gain	0 dBd, 2.1 dBi
Radiation Pattern	Omni Directional (Horizontal)
Half Power Beamwidth	78°
Electrical Beam-tilt	0°
Max. Input Power	150 W
Antistatic Protection	Direct Ground

Mechanical Specifications:

Color	White, Black and Orange
Length	See Outline Drawing
Weight	Max. 1.2 kg
Mount type	Fixed Tube Mounting Bracket. Stainless Steel Mounting Hardware included.
Mounting place	On vertical or horizontal mast tube (Ø 30 - 60 mm)
Materials	Antenna: Brass, Copper, Fibreglass and Aluminium. Mounting Kit: Stainless steel A4 (AISI-316)



Survival Wind Speed	55 m/s
Operating temperature	-55C to +70C (IEC 60068-2-1, IEC 60068-2-2)
Connector	N-female
Ingress Protection	IP66
Vibration	IEC 60068-2-6, IEC 60068-2-64
Serial no.	On product label

Ordering information:

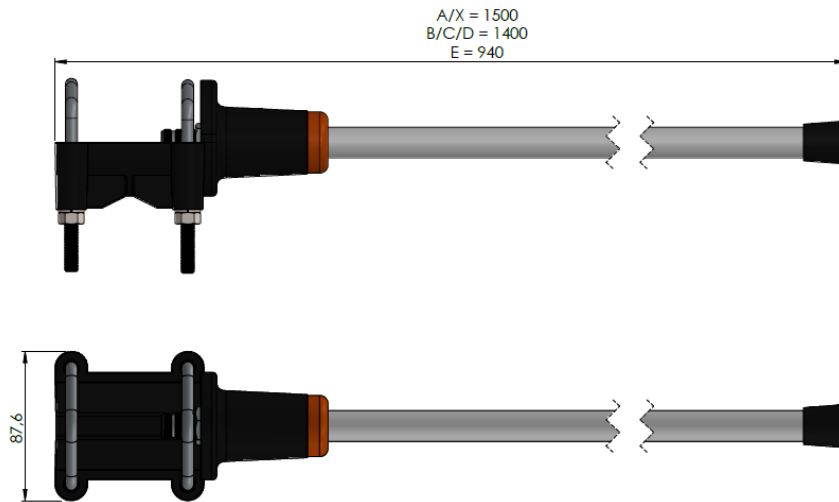
P/N	22010-000A: 118-137 MHz (Bulk packing)
P/N	22010-000B: 128-144 MHz (Bulk packing)
P/N	22010-000C: 144-163 MHz (Bulk packing)
P/N	22010-000D: 154-174 MHz (Bulk packing)
P/N	22010-000E: 218-225 MHz (Bulk packing)
P/N	22010-000X: 118-174 MHz (Bulk packing)
P/N	22010-001A/B/C/D/E/X (Individually packing in Polybag)
P/N	22010-004A/B/C/D/E/X (Individually packing in Carton tube)

Packaging Information:

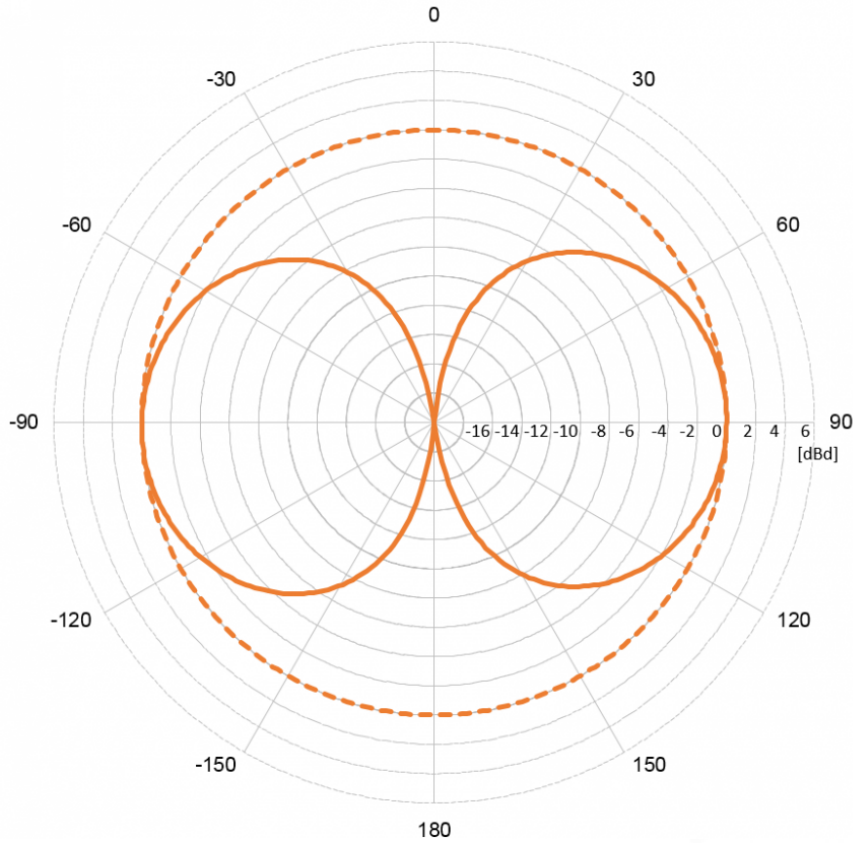
Type	See "Part No."
------	----------------



Outline Drawing



Radiation Pattern



Typical VSWR

