



Technical Data Sheet

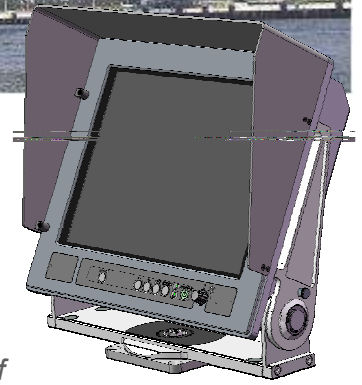
Sea Line 23.1" MK3 Monitor

The Sea Line Monitors, are a series of rugged TFT LCD Displays monitors. Our monitors are built following a modular approach, making them suitable as well for OEM or Private Label versions.

Our displays can be flush mounted or equipped with stand, turntable and/or sunshade.

All our monitors are provided with AC/DC inputs and can even be used as a part of an UPS system.

Please note that our monitors have been approved with all accessories mounted. For improved performance and reliability backlight technology is based on LED's.



Technical Specifications Sea Line 23.1" MK3 Monitor

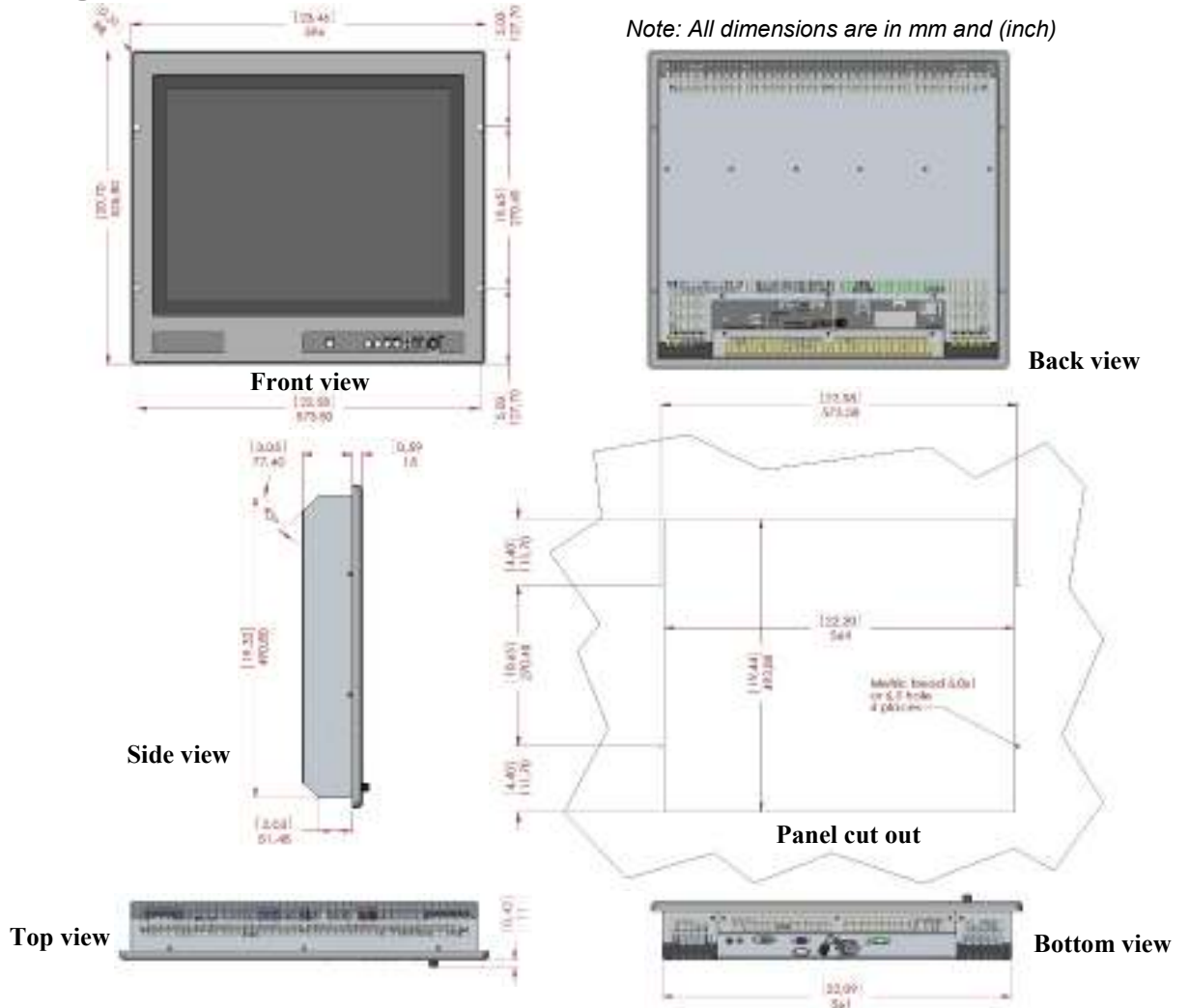
Matching standards:	IEC 60945, IEC 61174 (ECDIS), IEC 60936 (RADAR), IEC 62.288, IEC 62.388, IEC 60529 (IP), IACS E10. Designed to comply with MIL-STD-810F & MIL-STD-901D. Reports available on request.
Display size:	23.1" - 58.6cm. 470.4 (W) x 352.8 (H) mm
Overall dimensions:	596 (W) x 525.8 (H) x 77 (D) mm - flush mounting 615 (W) x 569 (H) x 548 (D) mm - with Stand & Turntable
Net/Gross weight:	17.2 Kg (monitor only) / 22.8 Kg (Monitor with Stand & Turntable)
Resolution:	Max 1.600 x 1.200 pixels (UXGA)
Synchronisation:	Separate/Composite, 15-100 kHz (H), 30-65 Hz (V)
Response time:	12 ms
Contrast ratio:	Typ. 600:1
Dot pitch:	0.294 (H) x 0.294 (V) mm
Light intensity:	350 cd/m ²
Numbers of colours:	16.7 Millions depending on graphics card
Viewing angle:	170°
Controls knobs:	Power, Menu, Set, +, -, Lock. All with dimmable light.
Potentiometer:	Brightness (TFT Backlight intensity)
Indicators:	Power indicator, AC or DC, dimmable LEDs
Supply voltage:	115 VAC ±10%, 230 VAC ±10% (switch), 24 VDC+30/-20%
Power Consumption:	App.105 W (AC) / 90 W (DC)
Colours:	Front & back: RAL 7015. Stand & turntable RAL 9007. Other colours available on request.
Enclosure protection:	IP 66 & IP 67 mounted in console, with optional sealing kit (gasket & grease)
Glass type:	Conturan® hardened, antiglare coated
Control Input:	RS 232 D-SUB 9 pin female
Operating/Storage Temp.:	-15/+55° C. +5/131° F (IEC 60945) / -25/+70° C. -13/158° F
Input:	DVI-I (Analogue and Digital), VGA, Composite video, S-Video, AC power IEC Inlet & DC screw terminal
Backlight life:	Typ. 50.000 hours
Dimming range:	0-100% (Dimming ratio 1.000:1)
Accessories:	Sunshade (SL231-01.SUN.01-0001) Dual Brackets (SL231-01.STA.01-0001) Dual Brackets + Turntable (SL231-01.STU.01-0001)

Specifications subject to changes without prior notice.

The contents of this page are property of North Invent A/S. All rights herein are reserved to North Invent A/S. This document cannot be reproduced without the written permission of the company.



I) Front mounting - main dimensions



II) Double layer stand and turntable mounted on monitor- main dimensions

With Stand SL231-01.STA.01-0001



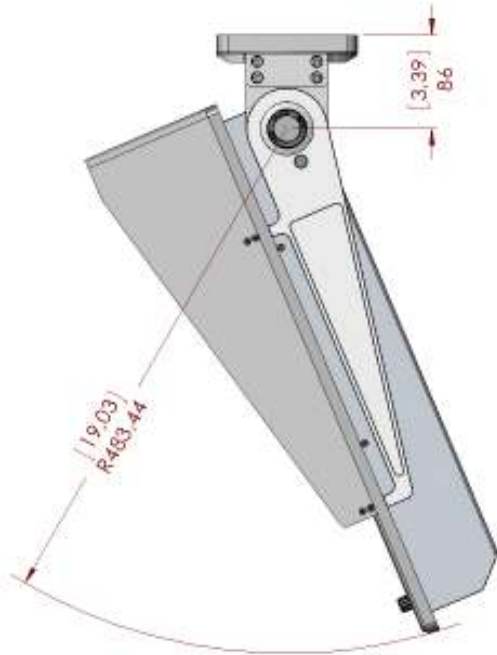
Specifications subject to changes without prior notice.

The contents of this page are property of North Invent A/S. All rights herein are reserved to North Invent A/S. This document cannot be reproduced without the written permission of the company.

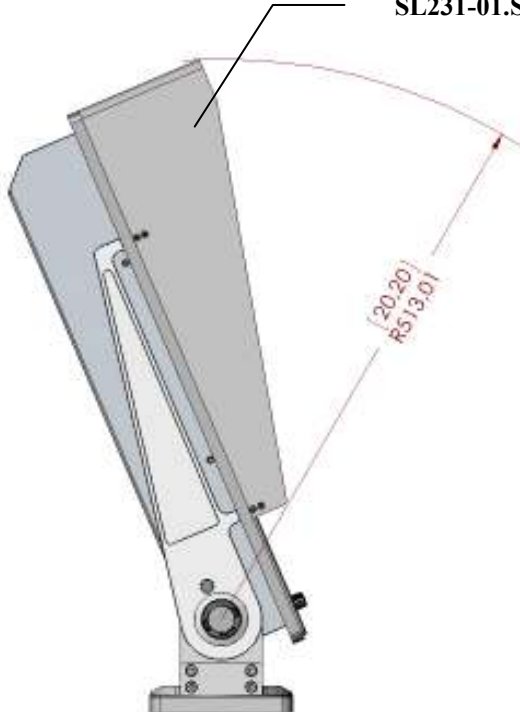


Technical Data Sheet

III) Stand and sunshade - main dimensions



SL231-01.SUN.01-0001



Note: All dimensions are in mm and (inch)

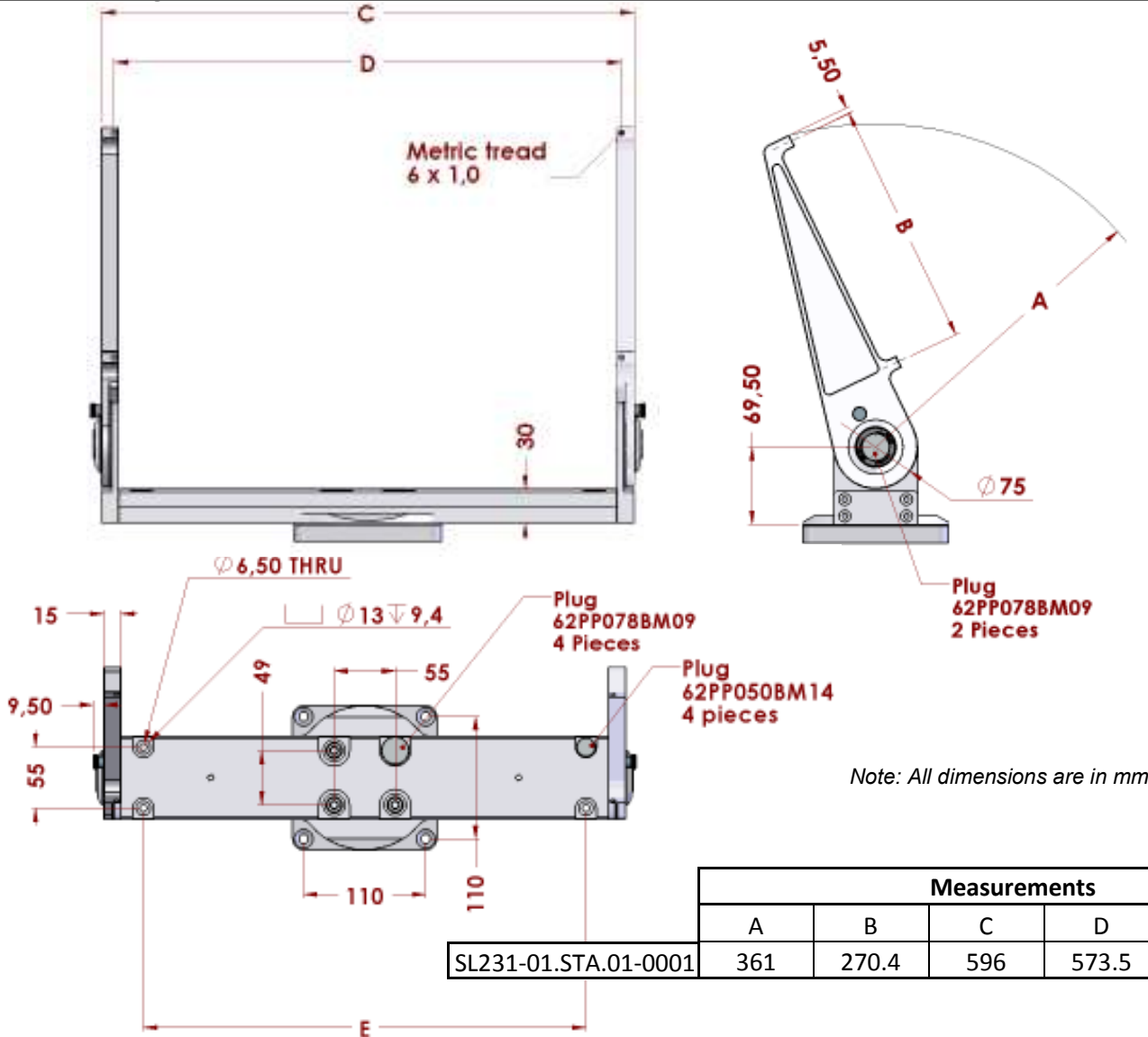
Specifications subject to changes without prior notice.

The contents of this page are property of North Invent A/S. All rights herein are reserved to North Invent A/S. This document cannot be reproduced without the written permission of the company.



Technical Data Sheet

IV) Double layer stand, turntable & sunshade mounted on monitor - main dimensions



SL231-01.STA.01-0001

Measurements				
A	B	C	D	E
361	270.4	596	573.5	526

Please note the following:

- All the mentioned marine and military standards can also be applied to the standard Monitor.
- The approved vibration test has been conducted with monitors fully equipped with Stand, Turntable & Sunshade, without significant amplifications.
- Monitors can match IP66 (dust proof & powerful jetting) and IP67 (dust proof & temporary immersion) requirements, with use of the optional Sealing kit. It makes our Monitors suitable for mounting on e.g. open bridge wings.
- The internal gasket of our front glass while being dust proof may still be permeable by vapour. In order to avoid both dust and dew building up inside the glass, please take a further contact with us.

The following is enclosed in a standard delivery:

- 1 x SL 231-01.MON.03-0001, 23.1" Monitor
- 1 x User Manual for Sea Line Monitors (identical for 15", 19", 21.3" & 23.1" monitors)
- 1 x Power AC Cable / 1 x DC plug / 1 x VGA Cable
- 4 x M6 x 25, Stainless Steel screws for front mounting / 4 x Cover for M6 screws

Specifications subject to changes without prior notice.

The contents of this page are property of North Invent A/S. All rights herein are reserved to North Invent A/S. This document cannot be reproduced without the written permission of the company.