



GPS PLOTTER

Hanten *HG-6M/8M/12M*

- ◆ High resolution TFT day-view LCD display
- ◆ SD-cards slot for C-Map MAX and user data
- ◆ Tide table
- ◆ Versatile display mode includes
 - Plotter
 - Navigator
 - Position
 - Satellite
 - AIS display
- ◆ GOTO track navigation
- ◆ Map orientation Selection
- ◆ Proximity waypoints alarms
- ◆ Perspective view
- ◆ Palette
 - Normal
 - Daylight-exposed to sunlight
 - Night-in dark environment
 - NOAA-paper chart colors



Hanten

Polaris Electronics A/S
info@polaris-as.dk – www.polaris-as.dk



Hanten

PLOTTER CHARACTERISTICS

Waypoints/icons: 15,000 waypoints with name, symbol,
10 proximity waypoint

Routes: Waypoint up to 200 points each, plus MOB and track navigation or GOTO track modes

Tracks: 30,000 point automatic track log; 15 saved tracks (up to 2000 track points each) let you retrace your path in both directions

Alarms: XTE, anchor drag, arrival, speed, voltage, proximity waypoint and time, AIS alarm.

Palette: Normal
Daylight exposed to sunlight
Night in dark environment
NOAA paperchart colors

Tides: Tide data

Projection: Mercator projection

Position format: Lat/Lon

Basemap: Built-in C-Map Basemap

External map: SD Cards slot for C-Map MAX

User data storage: Internal backup of user settings, or external SD-card

Plot interval: 1s to 99h or 0.01 nm to 9.99nm

Plotting scales: 0.01nm to 1,000nm

Nav Data: Inputs:
\$--BWC, \$--BWR, \$--DBT, \$--DPT, \$--GGA, \$--GLL,
\$--HDG, \$--HDM, \$--HDT, \$--MDA, \$--MTW, \$--RMA,
\$--RMB, \$--RMC, \$--TLL, \$--TTM, \$--VDR, \$--VHW,
\$--VTG, \$--WPL, \$--ZDA
Outputs:
\$--AAM, \$--APB, \$--BOD, \$--BWC, \$--GGA, \$--GLL,
\$--RMB, \$--RMC, \$--VTG, \$--XTE, \$--ZDA
Outputs for autopilot:
\$--AAM, \$--APB, \$--BOD, \$--VTG

Perspective view: On/off

GPS RECEIVER CHARACTERISTICS

Receiver: 50 parallel channel GPS receiver continuously tracks and uses up to 50 satellites to compute and update your position

Acquisition times: Cold start: 27 seconds average
Warm start: 27 seconds average
Hot start: 1 second average

Update rate: 1/second, continuous

Accuracy: Position: 2.5 meters (95%) without S/A
Velocity: 0.1 meter/sec without S/A
Time: ± 100ns synchronized to GPS time

SBAS: WAAS
EGNOS
MSAS

Datum: WGS 84 & others

Interfaces: NMEA 0183 input and output, RS232 and RS422 output

Antenna: HA-07 with 10 meter antenna cable

AIS INTERFACE

Data input: NMEA0183, RS232 or RS422

Baud rate: 38,400

POWER SUPPLY

HG-6M: 12 to 32 VDC, current drain < 300mA at 12V

HG-8M: 12 to 32 VDC, current drain < 350mA at 12V

HG-12M: 12 to 32 VDC, current drain < 600mA at 12V

PHYSICAL

HG-6M: Size: 224mm(H) X 151mm(W) X 89mm(D) Weight: 0.9kg
Display: 5.6-inches color TFT day-view LCD
640x480 pixel

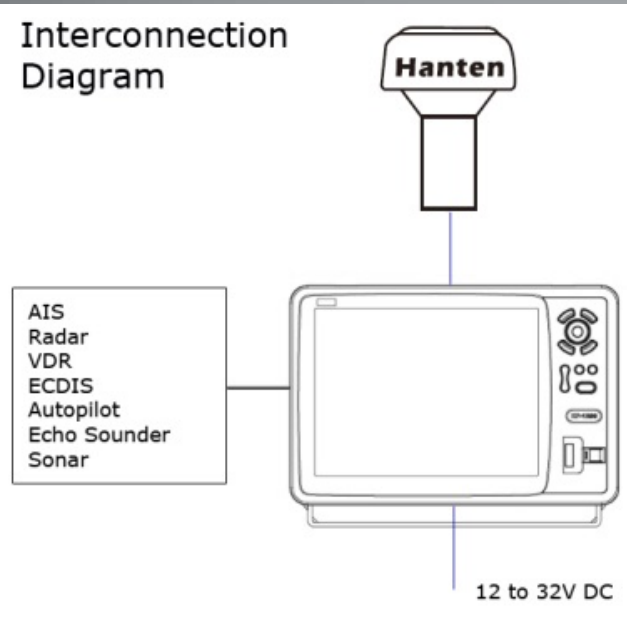
HG-8M: Size: 290mm(H) X 195.5mm(W) X 99.5mm(D)
Weight: 2.43kg
Display: 8-inches color TFT day-view LCD
800x600 pixel

HG-12M: Size: 364mm(H) X 268mm(W) X 106mm(D)
Weight: 3.95kg
Display: 12.1-inches color TFT day-view LCD
800x600 pixel
Plotter IPx5
Antenna IPx6

Waterproofing: Display Unit -15°C to +55 °C
Antenna -25°C to +70 °C

Temperature range:

Interconnection Diagram



Hanten