

SAILOR® 6081 PSU AND CHARGER

COBHAM

Advanced and flexible power

Product Sheet

The most important thing we build is trust

The new SAILOR 6081 Power Supply Unit and Charger is a true modular power supply and charger that offers unrivaled flexibility in installation and operation of SAILOR communications products. The high quality SAILOR 6081 is based on the proven standalone SAILOR 6080 Power Supply and has been developed as part of the SAILOR 6000 Series.

The SAILOR 6081 PSU and Charger is a highly advanced and sophisticated power supply and charger, designed to power the most advanced and user friendly safety communication system available, the SAILOR 6000 Series. The SAILOR 6081 PSU and Charger provides a number of advanced features including:

- Battery status on the SAILOR 6018 Message Terminal
- First truly modular maritime Power Supply and Charger system
- No fan = no moving parts
- Flexible mounting options and easy installation
- LAN connection

The SAILOR 6081 PSU and Charger brings with it innovations not seen before on a power supply and charger of its size. It features a LAN port on the charger module allowing monitoring and control of the SAILOR 6081 remotely – on the bridge via the SAILOR 6018 Message Terminal as part of a SAILOR 6000 GMDSS Series installation, meaning that there is no requirement for a battery panel.

Full Charge

The SAILOR 6081 PSU and Charger features sophisticated battery charging and switchover functionality and an AC alarm and battery voltage alarm function built in. It offers seamless changeover to battery power if there is a main AC failure, and it is also possible to link modules to an additional SAILOR 6081 PSU and Charger connected to the same battery. This to control charge and help to spread load under peak situations.

Flexible Installation

With the SAILOR 6081 PSU and Charger, up to four SAILOR 6080 Power Supplies can be combined on the tray to provide up to 1200W. This simplifies the SAILOR Power Supply and Charger portfolio, making it easier to choose the right configuration. If the

requirement to power should increase, it is easy to add SAILOR 6080 Power Supplies to the configuration. This flexibility makes it possible to specify the same power supply, in different quantities for types of installations.

Cool Power

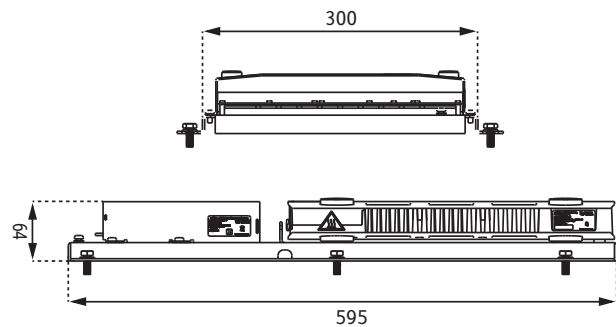
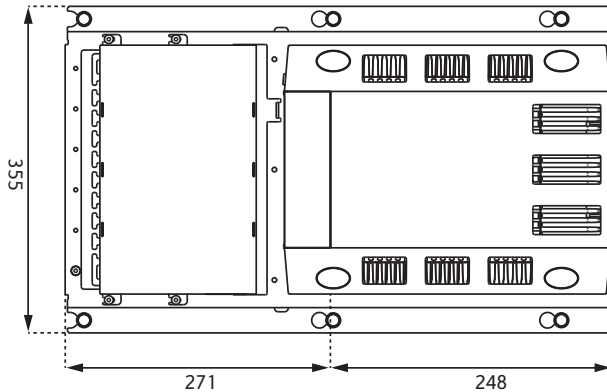
SAILOR products are highly regarded for their high quality and durability in the extreme maritime environment. The SAILOR 6081 PSU and Charger reflects this by being greatly versatile and stable, with innovative features such as the lack of forced cooling, and hereby reduce means to failures, as proven by the very popular SAILOR 6080 Power Supply.



SAILOR® 6081 PSU AND CHARGER

Advanced and flexible power

COBHAM



TECHNICAL SPECIFICATIONS

Output power at 90VAC - 100 VAC	270W continuous pr. 6080 unit (Max 4)
DC output (nominal)	28 V or according to battery
Connections	1 x DC output (50 A) 2 x DC output (20 A) 2 x DC output (10 A) 15 V DC output (3 A) 1 x DC output (50 A) dedicated to battery Interface for legacy battery panel and relay output for AC alarm Ethernet interface for monitoring and control
IP rating	IP 30
Compass safe distance	30 cm
Cooling	No forced cooling required
Alarm	"In case of AC power failure or if battery power is outside allowed range."

DIMENSIONS AND WEIGHT

Dimension	H: 66 mm, L: 590 mm, W: 355 mm + 1 x 6080 H: 112 mm, L: 590 mm, W: 355 mm + 2 x 6080 H: 158 mm, L: 590 mm, W: 355 mm + 3 x 6080 H: 204 mm, L: 590 mm, W: 355 mm
Weight	Approx 6.2 kg + 1 x 6080 Approx 10.1 kg + 2 x 6080 Approx 14.0 kg + 3 x 6080 Approx 17.9 kg

TEMPERATURE

Survival temperature (power on)	-40° to +80° C
Operating temperature	-15° to +55° C
Storage temperature	-40° to +80° C

For further information please contact:

Cobham SATCOM Maritime
Lundtoftegaardsvej 93 D
DK-2800 Kgs. Lyngby
Denmark
www.cobham.com
Tel: +45 3955 8800
Fax: +45 3955 8888