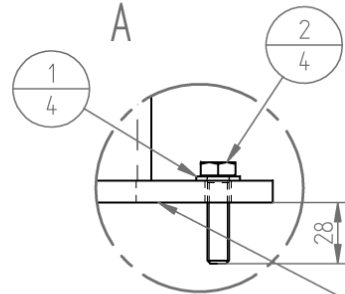
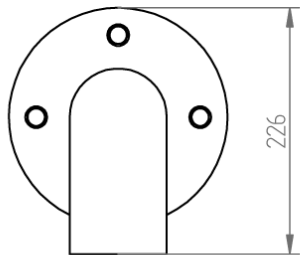
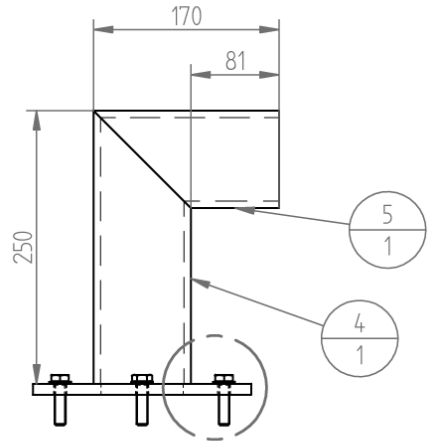
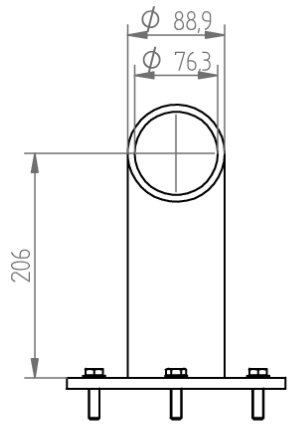


NT GOOSENECK POLARIS

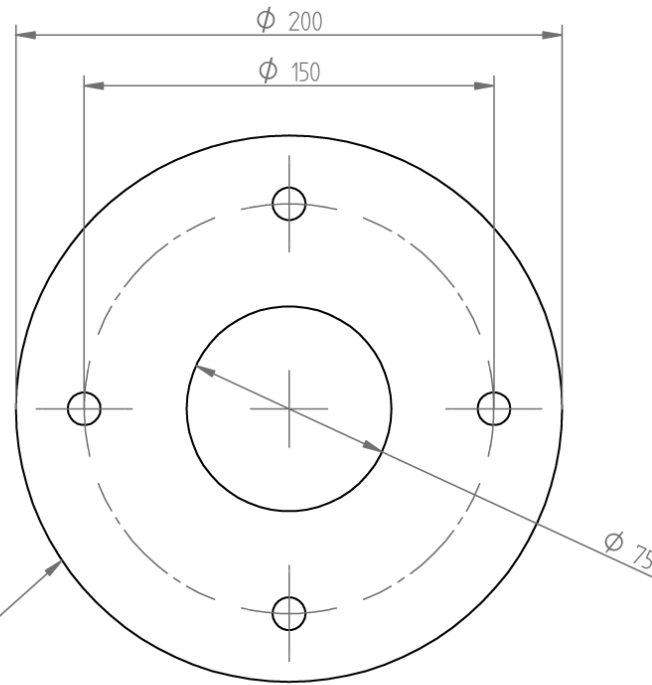
NT GOOSENECK

NT GOOSENECK GALV

Item Number	Document Number	Title	Material	Quantity
1	Washer DIN 125 - A 10,5		Steel	4
2	Hexagon head screw DIN 933 M10x40		Steel	4
3		Plate	S235JRG2	1
4		Pipe $\Phi 88.9 \times 6.3$ L=250	S235JRG2	1
5		Pipe $\Phi 88.9 \times 6.3$ L=170	S235JRG2	1



DETAIL A



Draw: ks		Size, std:		Tolerance		Geometric tolerance symbols acc. ISO1101	
Chk:		Material:		ISO 2768-1		General tolerance symbols acc. ISO2768	
App:		Finish:		Next assembl.			
Prod:		Client:		Description gooseneck			
Sheet: 1 of 1		Order No:					
Scale	Mass	Metric: mm	Polaris Electronics A/S			Drawing number	
1:1	6.5kg					Rev.	