

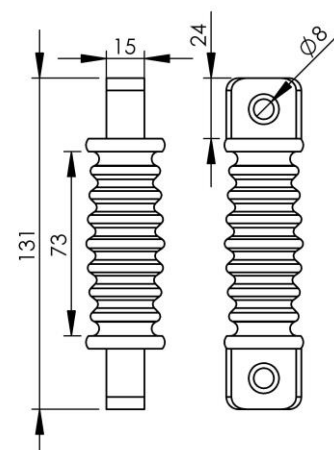
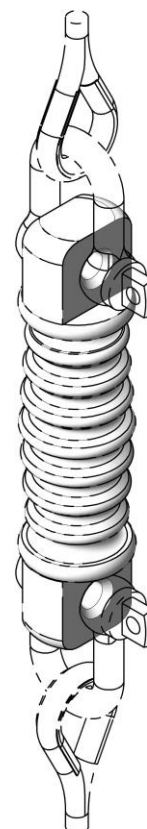
H023F Polaris p/n E62.022

PBT insulator

This PBT insulator is used in HF/SSB systems at end of wire arials.

Mechanical Specification

Material	PBT
Height (mm/")	131/5
Width (mm/")	32.5/1.28
Thickness (mm/")	321.26
Weight (g/lbs)	65/0.15
Insulation (kV)	63
Tensile Force (kN)	6



This part fits

This product fits HF/SSB systems.