

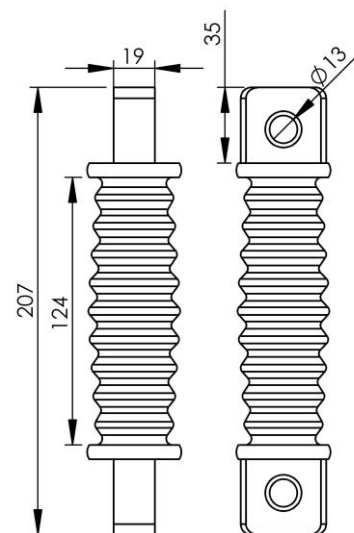
H022F Polaris p/n E62.021

PBT insulator

This PBT insulator is used in HF/SSB systems at end of wire arials.

Mechanical Specification

Material	PBT
Height (mm/")	210/8
Width (mm)	45/1.77
Thickness (mm)	44/1.74
Weight (g/lbs)	230/0.51
Insulation (kV)	100
Tensile Force (kN)	9



This part fits

This product fits HF/SSB systems.