
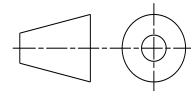


					HISTORY				
					VER	REV	DESCRIPTION	DATE	APPROVAL
					A	-	Original	-	-
					B	-	Cables added	10.11.08	CMA
					C	-	Cable 1.3.10 removed, SAILOR 6198	11.07.01	CMA
					D	-	Changed to SAILOR 6197 Cable 3.2.31 added	2016.03.02	Connie Madsen


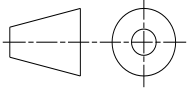
Cable No.	Cable type	From/To	From/To	Signal
1.1.00	Coaxial RG213	MF/HF Transceiver	MF/HF Receiver Aerial	MF/HF reception
1.1.01	Coaxial RG213	MF/HF Transceiver	MF/HF ATU	MF/HF transmission
1.1.02	Coaxial RG214	No.1 VHF	VHF DSC Aerial	VHF DSC reception
1.1.03	Coaxial RG214	No.1 VHF	VHF Rx/Tx Aerial	VHF Rx/Tx
1.1.04	T&T cable (p/n 406100-94x)	No.1 Console CB. mini-C	No.1 mini-C Antenna	CAN-bus
1.2.00	T&T cable	MF/HF Transceiver (6m supplied)	No.1 Console CB. MF/HF	CAN-bus
1.2.01	Ethernet cable, CAT 5e STP	MF/HF Transceiver	SAILOR 6197 Ethernet switch	LAN
1.2.02	Ethernet cable, CAT 5e STP	No.1 Power Supply & Charger	SAILOR 6197 Ethernet switch	LAN
1.2.04	T&T cable	No.1 VHF	Sailor 6208 Connection Box	AUX
1.2.05	Ethernet cable CAT 5e STP	No.1 VHF	Console SAILOR 6197 Ethernet switch	LAN
1.2.07	T&T cable	SAILOR 6208 Connection Box (6m supplied)	No.1 Console CB. AUX (J20)	AUX
1.2.21	2x0.5 ²	No.1 Power Supply & Charger	External Alarm input	AC Fail signal
1.2.22	2x0.5 ²	No.1 Power Supply & Charger	External Battery Alarm input	Battery Fail signal
1.2.31	2x0.5 ²	No.1 Console CB.VHF	VDR	Output to VDR
1.3.00	Power cable – 3 conductor	No.1 Power Supply & Charger	No.1 Console CB. Message Term.	DC Supply
1.3.01	Power cable – 3 conductor	No.1 Power Supply & Charger	No.1 SAILOR 6090 Power Converter	DC Supply
1.3.02	Power cable – 3 conductor	Battery	No.1 Power Supply	Battery backup Supply
1.3.03	Power cable – 3 conductor	No.1 Power Supply & Charger	No.1 Console CB. Mini-C	DC Supply
1.3.05	Power cable – 3 conductor	No.1 Power Supply & Charger	No.1 Console CB. Light	DC Supply
1.3.06	Power cable – 3 conductor	No.1 Power Supply & Charger	MF/HF Transceiver	DC Supply
1.3.11	Power cable – 3 conductor	No.1 Power Supply & Charger	SAILOR 6197 Ethernet switch	DC Supply
1.3.12	T&T cable	No.1 Power Supply & Charger	SAILOR 6101 Alarm Panel mini-C (2.5m supplied)	DC Supply
1.3.13	Power cable – 2 conductor	No.1 VHF (1.5m supplied)	No.1 Console CB. VHF Power Out	DC Supply
1.4.00	Power cable – 3 conductor	Ship's Supply	No.1 Power Supply & Charger	AC Power
2.1.00	Coacial RG213	No.2 MF/HF	MF/HF Receiver Aerial	MF/HF reception
2.1.01	Coacial RG213	No.2 MF/HF	MF/HF ATU	MF/HF transmission
2.1.02	Coaxial RG214	No.2 VHF	VHF DSC Aerial	VHF DSC reception
2.1.03	Coaxial RG214	No.2 VHF	VHF Rx/Tx Aerial	VHF Rx/Tx
2.1.04	T&T cable (p/n 406100-94x)	No.2 Console CB. Mini-C	No.2 mini-C Antenna	CAN-bus

Cable No.	Cable type	From/To	From/To	Signal
2.2.00	T&T cable	No.2 MF/HF Transceiver (6m supplied)	No.3 Console CB. MF/HF	CAN-bus
2.2.01	Ethernet cable, CAT 5e STP	No.2 MF/HF	SAILOR 6197 Ethernet switch	LAN
2.2.02	Ethernet cable, CAT 5e STP	No.2 Power Supply & Charger	SAILOR 6197 Ethernet switch	LAN
2.2.03	T&T cable	Sailor 6208 Connection Box	SAILOR 6208 Connection Box (6m supplied)	CAN-bus
2.2.04	T&T cable	No.2 VHF	SAILOR 6208 Connection Box (6m supplied)	AUX
2.2.05	Ethernet cable, CAT 5e STP	No.2 VHF	Console SAILOR 6197 Ethernet switch	LAN
2.2.06	T&T cable	No.2 VHF	SAILOR 6208 Connection Box (6m supplied)	CAN-bus
2.2.20	2x0.5 ²	No.2 Power Supply & Charger	External Alarm input	AC Fail signal
2.2.21	2x0.5 ²	No.2 Power Supply & Charger	External Battery Alarm input	Battery Fail signal
2.2.31	2x0.5 ²	No.2 VHF	VDR	Output to VDR
2.3.00	Power cable - 3 conductor	No.2 Power Supply & Charger	No.2 Console CB. Message Term.	DC Supply
2.3.01	Power cable - 3 conductor	No.2 Power Supply & Charger	No.2 SAILOR 6090 Power Converter	DC Supply
2.3.02	Power cable - 3 conductor	Battery	No.2 Power Supply	Battery backup Supply
2.3.03	Power cable - 3 conductor	No.2 Power Supply & Charger	No.2 Console CB. mini-C	DC Supply
2.3.04	Power cable - 3 conductor	No.2 Power Supply & Charger	Console SAILOR 6197 Ethernet switch	DC Supply
2.3.06	Power cable - 3 conductor	No.2 Power Supply & Charger	No2 MF/HF Transceiver	DC Supply
2.3.07	Power cable - 3 conductor	No.2 Power Supply & Charger	No.3 Console CB. Message Term.	DC Supply
2.3.10	Power cable - 2 conductor	No.2 SAILOR 6090 Power Converter	No. 2 VHF (1.5m supplied)	DC Supply
2.3.12	T&T cable	No.2 Power Supply & Charger	SAILOR 6103 GMDSS Alarm Panel (2.5m supplied)	DC Supply
2.4.00	Power cable - 3 conductor	Ship's Supply	No.2 Power Supply	AC Power
3.2.00	Ethernet cable, CAT 5e STP	SAILOR 6197 Ethernet switch	Console SAILOR 6197 Ethernet switch	LAN
3.2.02	Ethernet cable, CAT 5e STP	SAILOR 6101 Alarm Panel mini-C	Console SAILOR 6197 Ethernet switch	LAN
3.2.03	Ethernet cable, CAT 5e STP	SAILOR 6197 Ethernet switch	SAILOR 6103 GMDSS Alarm Panel	LAN
3.2.04	4x0.5 ²	No.1 Power Supply & Charger	No.2 Power Supply & Charger	X-Link
3.2.30	2x0.5 ²	Position source (GPS)	Console CB. NMEA 0183	NMEA position data
3.2.31	2x0.5 ²	Position source (GPS)	No.2 VHF/SAILOR 6208 Connection Box	NMEA position data

**Note: All cables must be shielded type.
For cable dimensions and length limitations not indicated refer to the appropriate Installation manual.**

SURFACE TREATMENT:		UNLESS OTHERWISE SPECIFIED DIMENSIONS ARE IN MILLIMETRE AND TOLERANCES ARE IN ACCORDANCE WITH DS/EN 22768-1-m		 Thrane & Thrane trading as Cobham SATCOM - Denmark	
MATERIAL:		DR. Connie Madsen 10.10.18 CH. Lars Bo Hesel 10.10.18 AP. Connie Madsen 10.10.18			
FIRST ANGLE PROJECTION				SIZE A3	ASSET NO.
				DRAWING NO. 99-132599-D	
				SCALE 1:1	SHEET 1 OF 1
THIS DRAWING CONTAINS INFORMATION THAT IS PROPRIETARY TO COBHAM PLC. AND SHOULD NOT BE USED WITHOUT WRITTEN PERMISSION					

HISTORY				
VER	REV	DESCRIPTION	DATE	APPROVAL
A	-	Original	-	-
B	-	Cables added	10.11.08	CMA
C	-	Cable 1.3.10 removed, SAILOR 6198	11.07.01	CMA
D	-	Changed to SAILOR 6197 Cable 3.2.31 added	2016.03.02	Connie Madsen

SURFACE TREATMENT:	UNLESS OTHERWISE SPECIFIED DIMENSIONS ARE IN MILLIMETRE AND TOLERANCES ARE IN ACCORDANCE WITH DS/EN 22768-1-m		 Thrane & Thrane trading as Cobham SATCOM - Denmark		
	DR. Connie Madsen	10.10.18			
MATERIAL:	CH. Lars Bo Hesel	10.10.18	TITLE Cable Specifications for External Cable Overviews, SAILOR program 6000		
	AP. Connie Madsen	10.10.18			
	FIRST ANGLE PROJECTION 				
		SCALE 1:1	SHEET 1 OF 1		
THIS DRAWING CONTAINS INFORMATION THAT IS PROPRIETARY TO COBHAM PLC. AND SHOULD NOT BE USED WITHOUT WRITTEN PERMISSION					